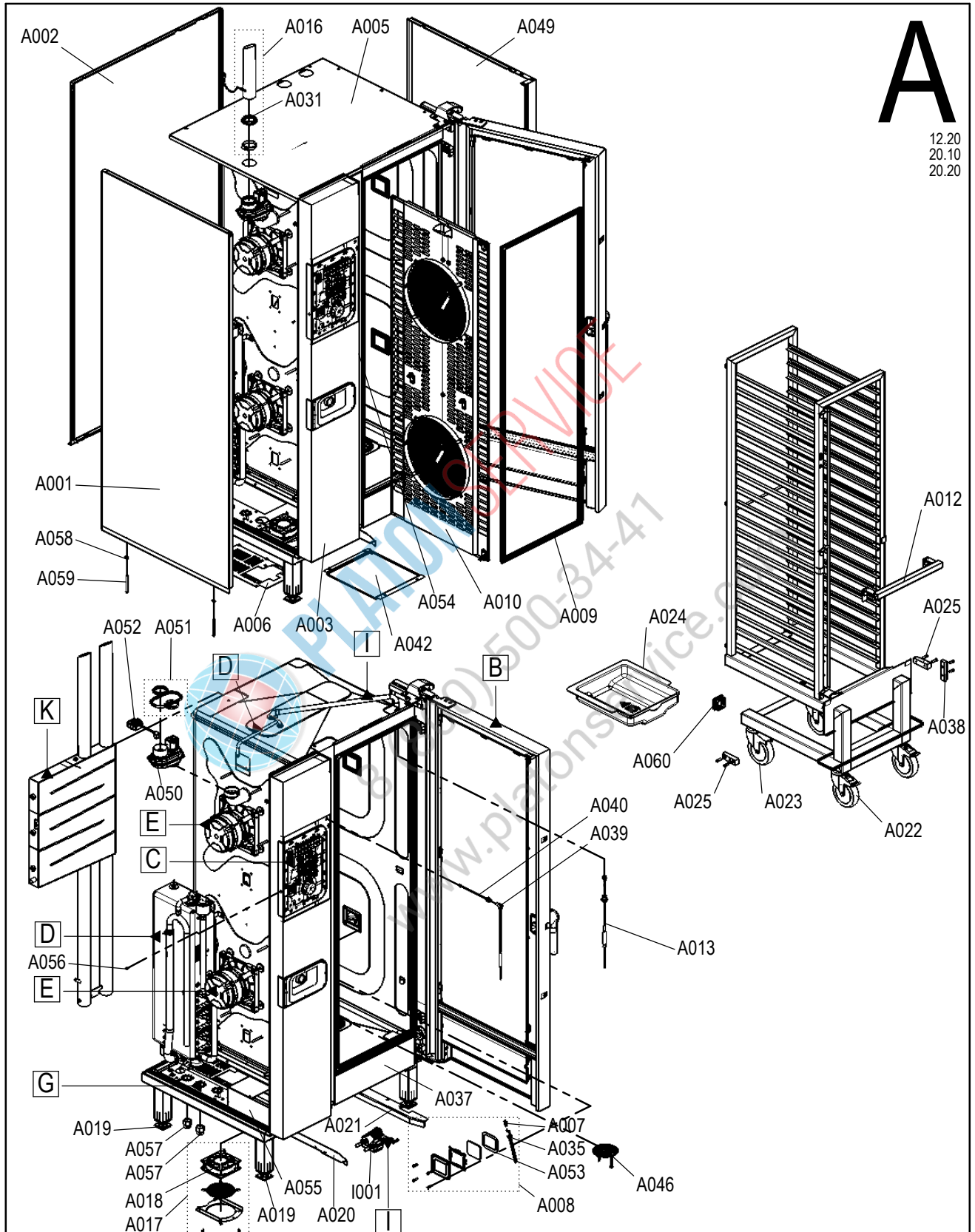


Laufende Verbesserungen des Produkts können Änderungen der Spezifikationen ohne expliziten Hinweis bedingen. Continuous improvements to the product may mean changes to the specification are made without explicit mention.  
 9665018\_00 Nov 09, 15 © 2015 Manitowoc.

00	Z-Freigabe	Nov 09, 15	tfekete	Drawn	Sep 29, 15	aruhdorf
Rev	Remarks	Date	Name	App.	Nov 09, 15	tfekete



**A**

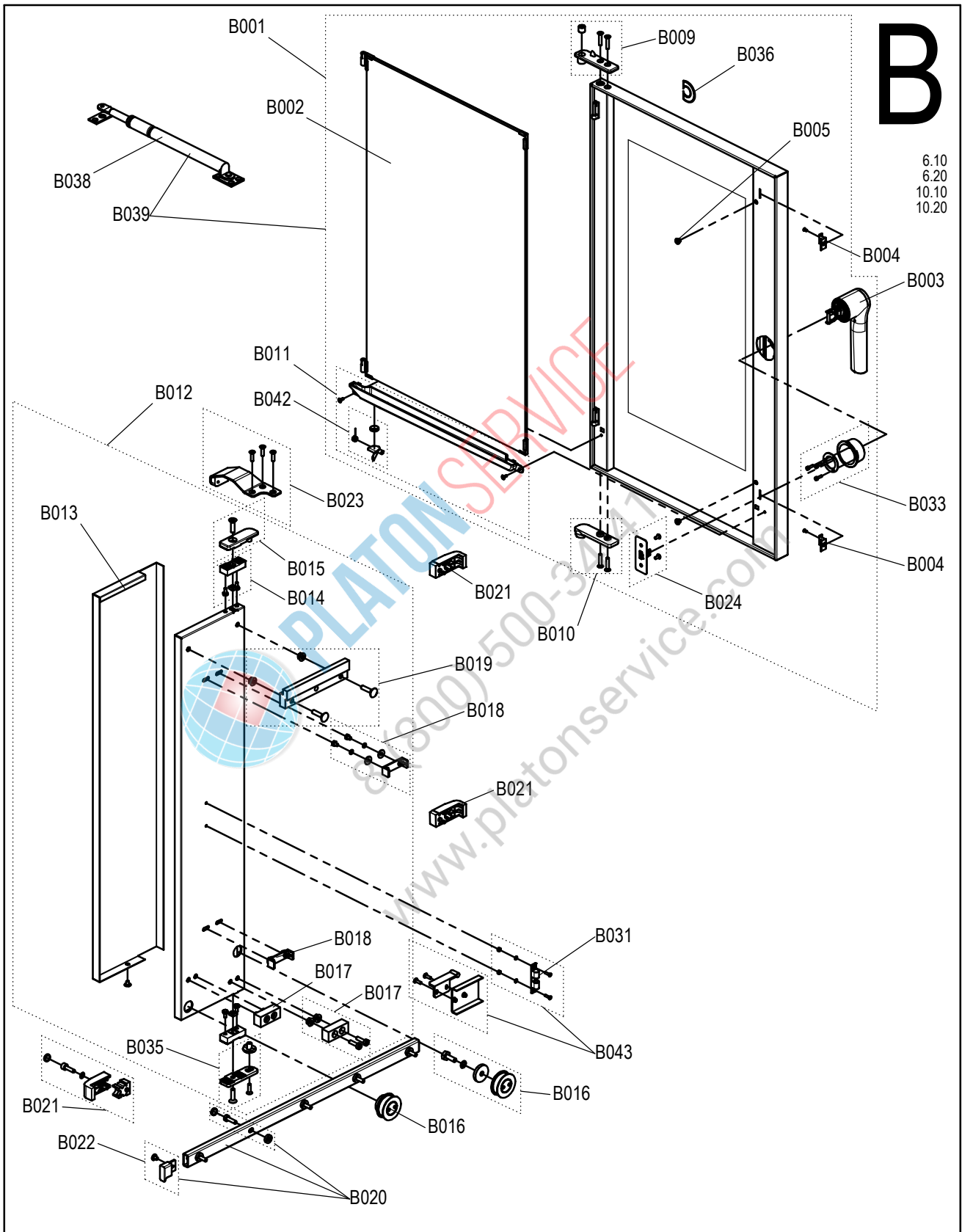
12.20  
20.10  
20.20

Laufende Verbesserungen des Produkts können Änderungen der Spezifikationen ohne expliziten Hinweis bedingen. Continuous improvements to the product may mean changes to the specification are made without explicit mention. 9665008\_01 Dec 30, 15 © 2015 Manitowoc.

00	Z-Freigabe	Nov 09, 15	tfekete	Drawn	Aug 18, 15	aruhdorf
01	Z-Freigabe	Dec 30, 15	aberrchte	App.	Dec 30, 15	aberrchte
Rev	Remarks	Date	Name		Date	Name

# B

6.10  
6.20  
10.10  
10.20

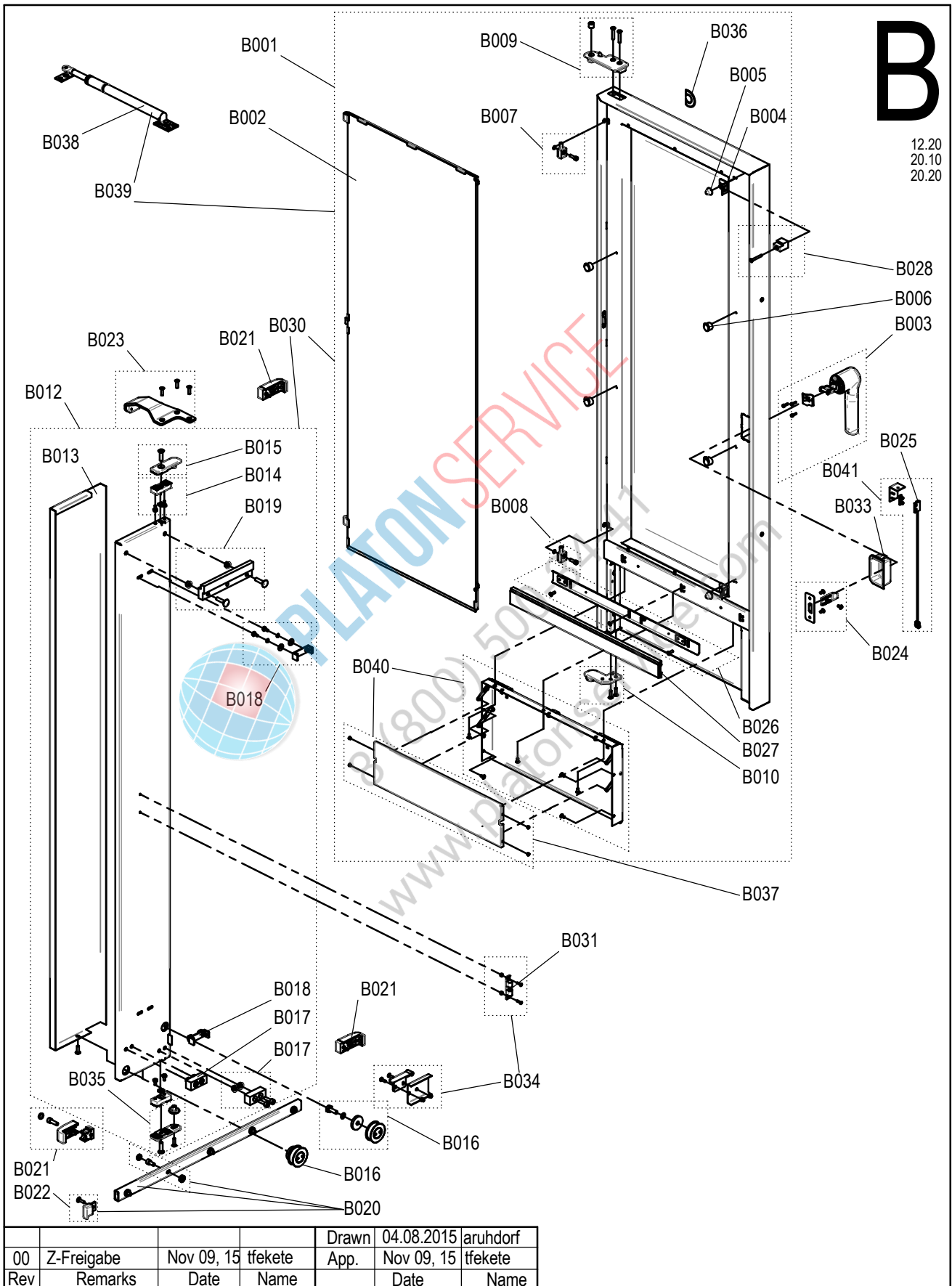


01	Z-Freigabe	Nov 09, 15	tfekete	Drawn	05.10.2015	aruhdorf
02	Z-Freigabe	Dec 30, 15	aberchte	App.	Dec 30, 15	aberchte
Rev	Remarks	Date	Name		Date	Name

Laufende Verbesserungen des Produkts können Änderungen der Spezifikationen ohne expliziten Hinweis bedingen. Continuous improvements to the product may mean changes to the specification are made without explicit mention.  
9665019\_02 Dec 30, 15 © 2015 Manitowoc.

# B

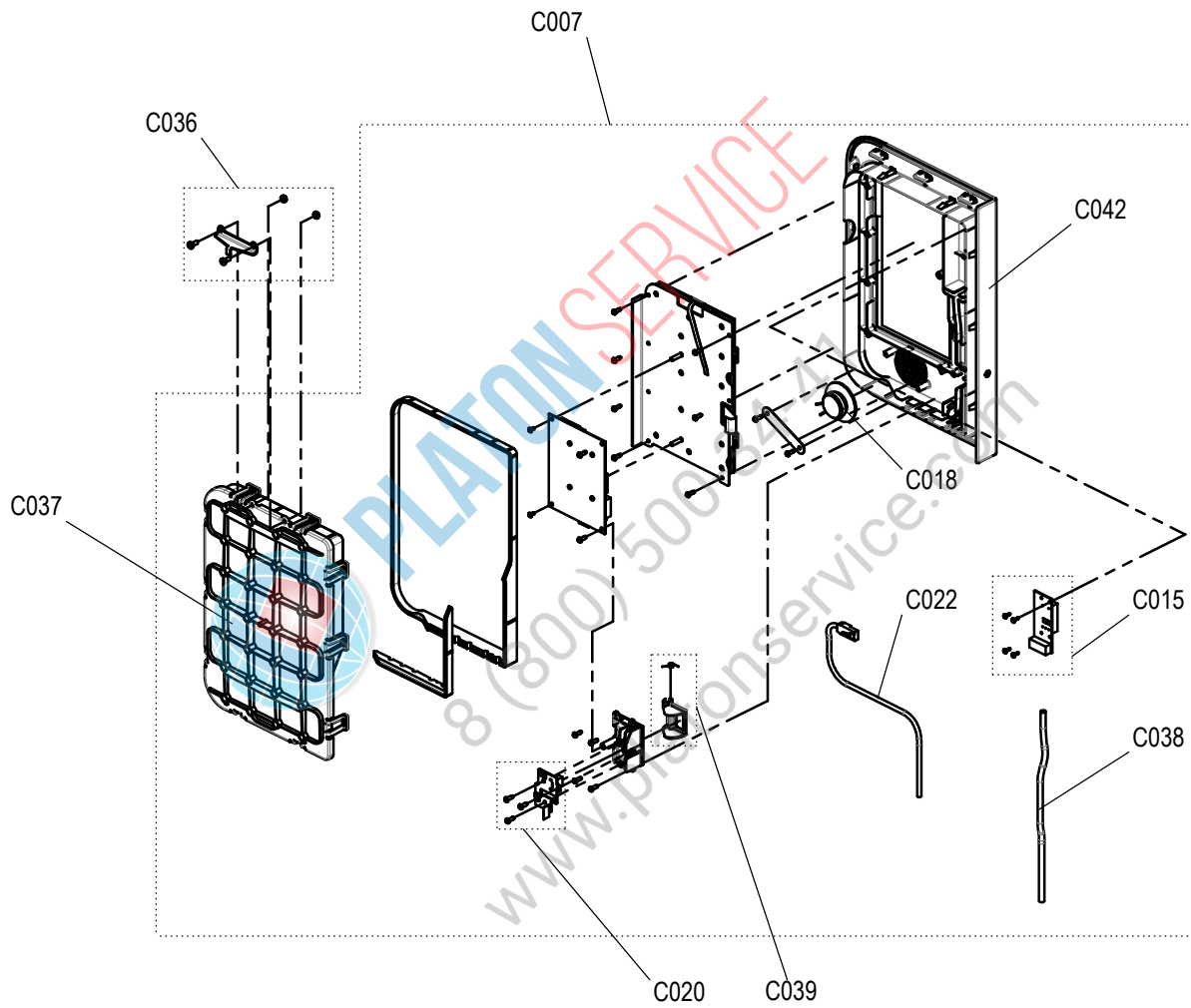
12.20  
20.10  
20.20



Laufende Verbesserungen des Produkts können Änderungen der Spezifikationen ohne expliziten Hinweis bedingen. Continuous improvements to the product may mean changes to the specification are made without explicit mention. 9665003\_00 Jul 27, 15 Nov 09, 15 © 2015 Manitowoc.

00	Z-Freigabe	Nov 09, 15	tfekete	Drawn	04.08.2015	aruhdorf
Rev	Remarks	Date	Name	App.	Nov 09, 15	tfekete

**C**  
easyTouch

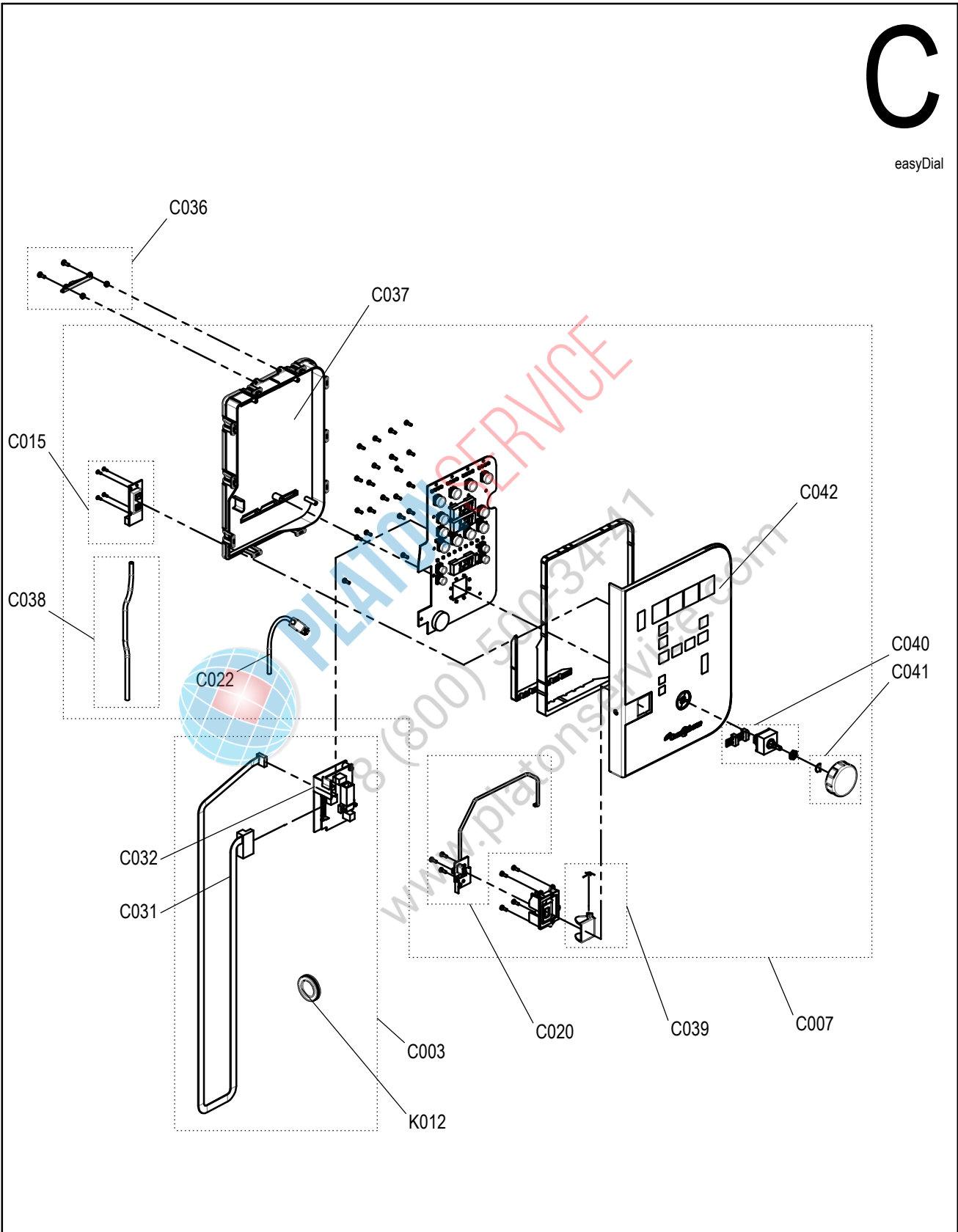


				Drawn	02.09.2015	aruhdorf
00	Z-Freigabe	Nov 09, 15	tfekete	App.	Nov 09, 15	tfekete
Rev	Remarks	Date	Name	Date	Date	Name

Laufende Verbesserungen des Produkts können Änderungen der Spezifikationen ohne expliziten Hinweis bedingen. Continuous improvements to the product may mean changes to the specification are made without explicit mention.  
9665013\_00 Nov 09, 15 © 2015 Manitowoc.



**C**  
easyDial

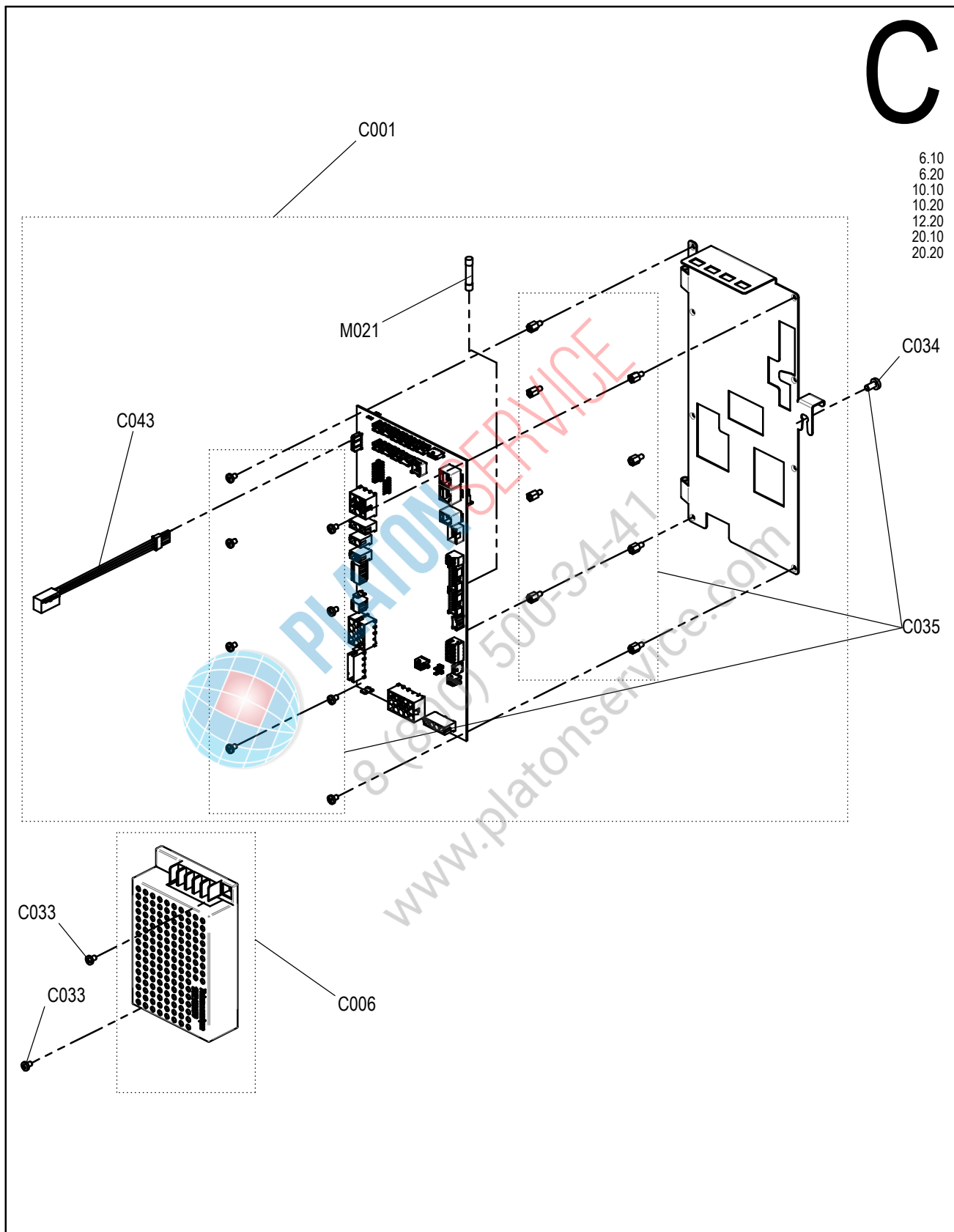


00	Z-Freigabe	Nov 09, 15	tfekete	Drawn	Aug 31, 15	aruhdorf
Rev	Remarks	Date	Name	App.	Nov 09, 15	tfekete

Laufende Verbesserungen des Produkts können Änderungen der Spezifikationen ohne expliziten Hinweis bedingen. Continuous improvements to the product may mean changes to the specification are made without explicit mention.  
9665010\_00 Nov 09, 15 © 2015 Manitowoc.

# C

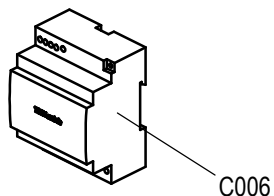
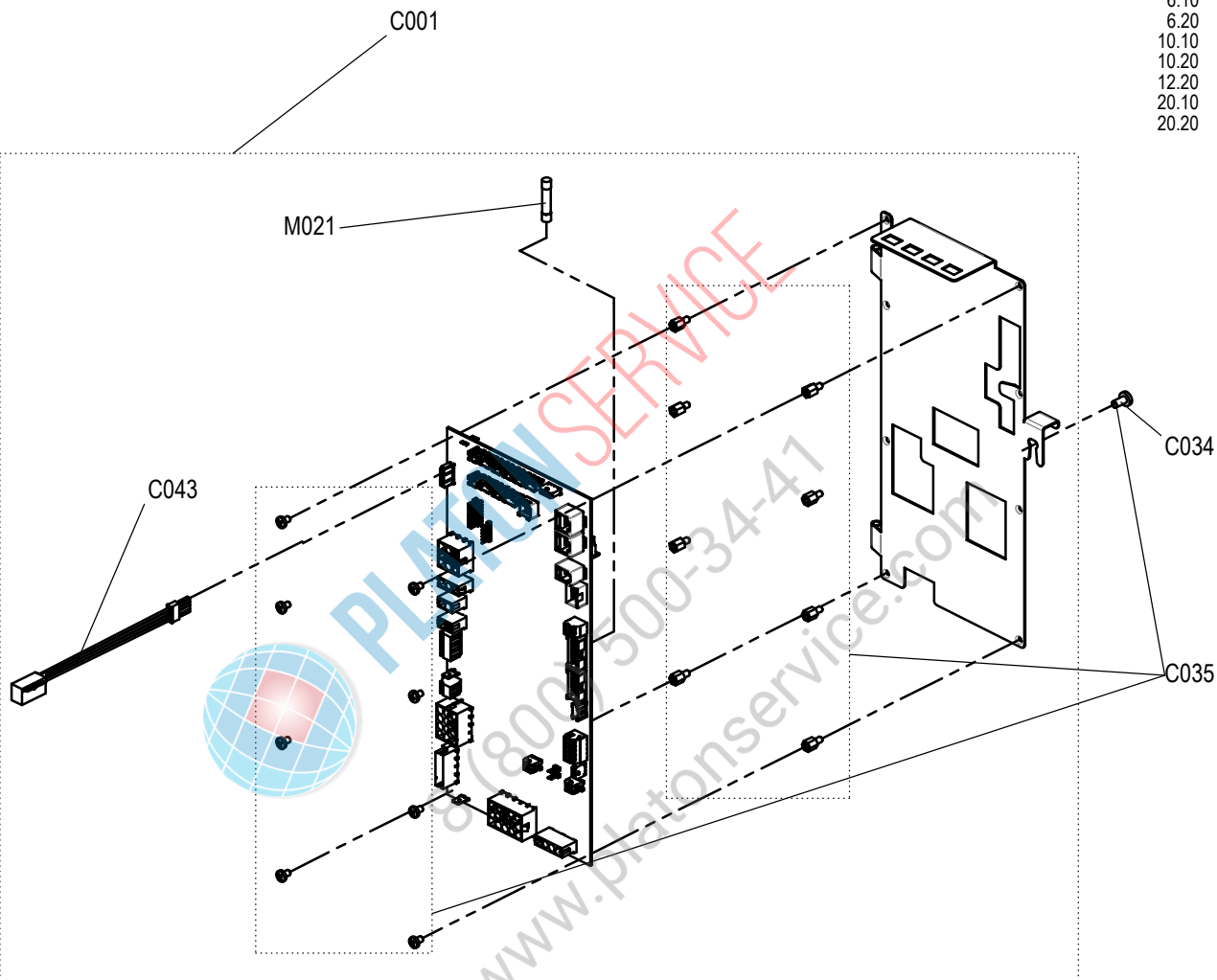
6.10  
6.20  
10.10  
10.20  
12.20  
20.10  
20.20



00	Z-Freigabe	Nov 05, 15	tfekete	Drawn	02.09.2015	aruhdorf
Rev	Remarks	Date	Name	App.	Nov 05, 15	tfekete

C

6.10  
6.20  
10.10  
10.20  
12.20  
20.10  
20.20

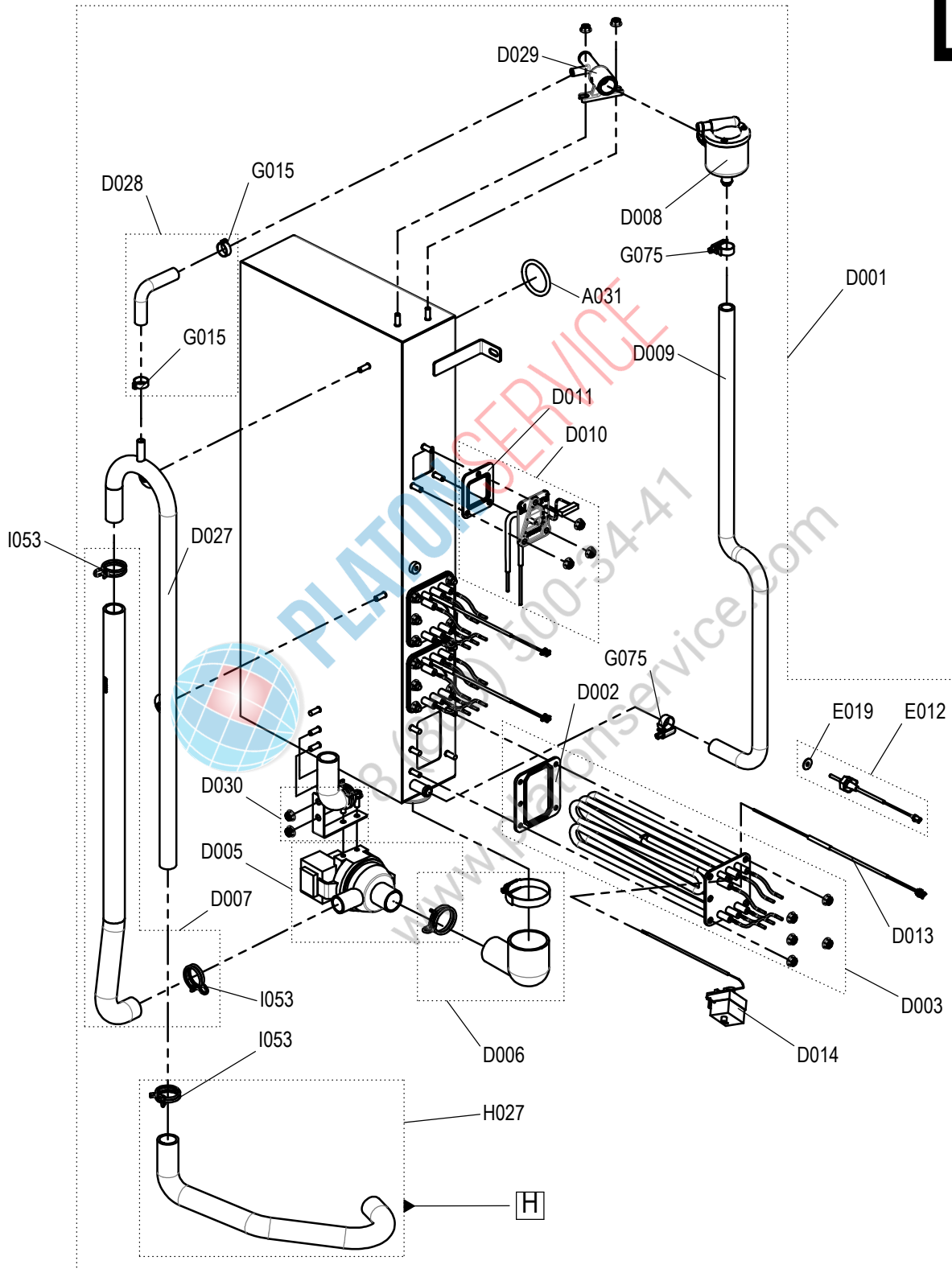


00	Z-Freigabe	Nov 05, 15	tfekete	Drawn	02.09.2015	aruhdorf
Rev	Remarks	Date	Name	App.	Nov 05, 15	tfekete



# D

6.10 EB  
6.20 EB  
10.10 EB  
10.20 EB  
12.20 EB  
20.10 EB  
20.20 EB

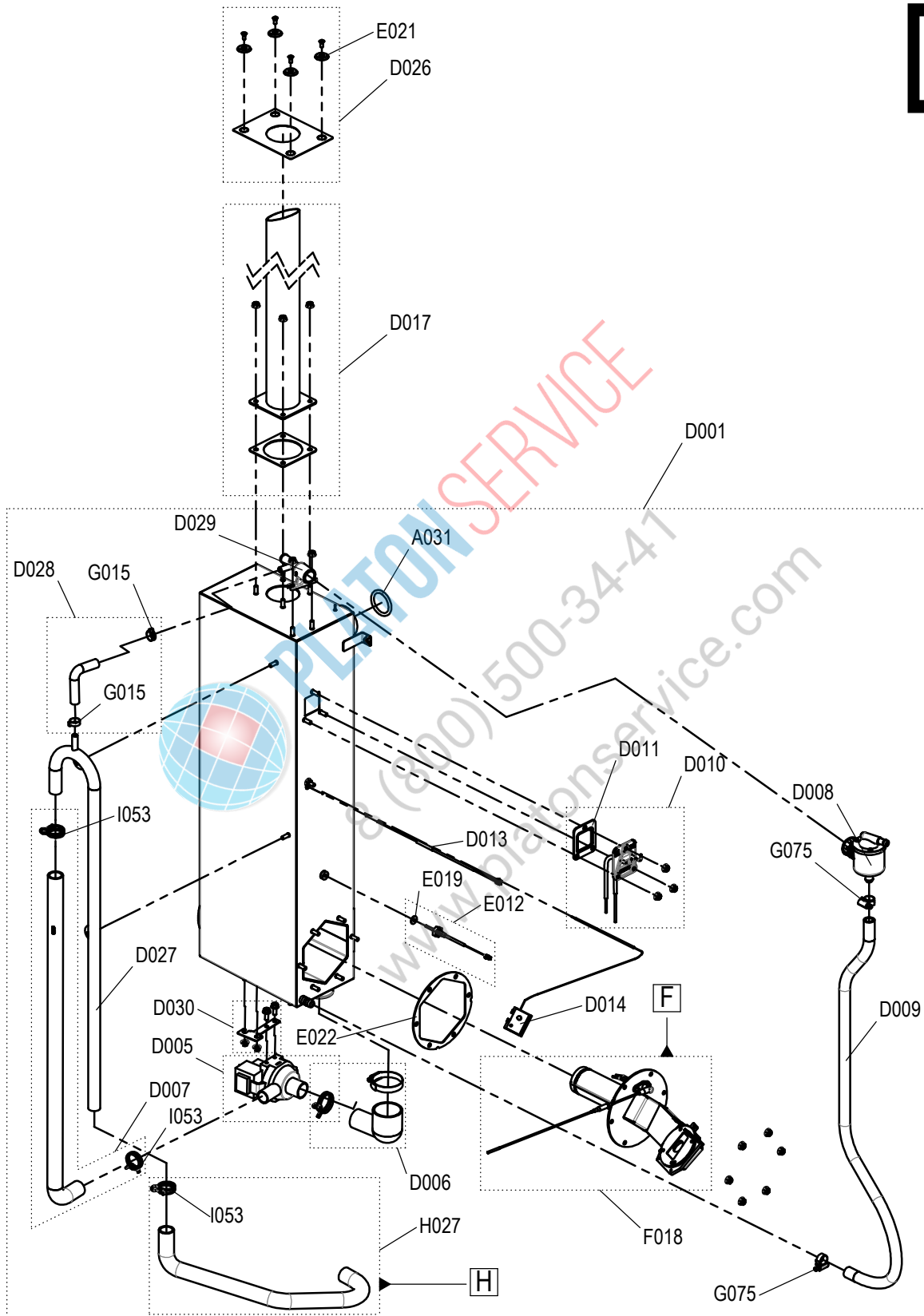


00	Z-Freigabe	Nov 04, 15	tfekete	Drawn	16.10.2015	aruhdorf
Rev	Remarks	Date	Name	App.	Nov 04, 15	tfekete

Laufende Verbesserungen des Produkts können Änderungen der Spezifikationen ohne expliziten Hinweis bedingen. Continuous improvements to the product may mean changes to the specification are made without explicit mention.  
 9665025\_00 Nov 04, 15 © 2015 Manitowoc.

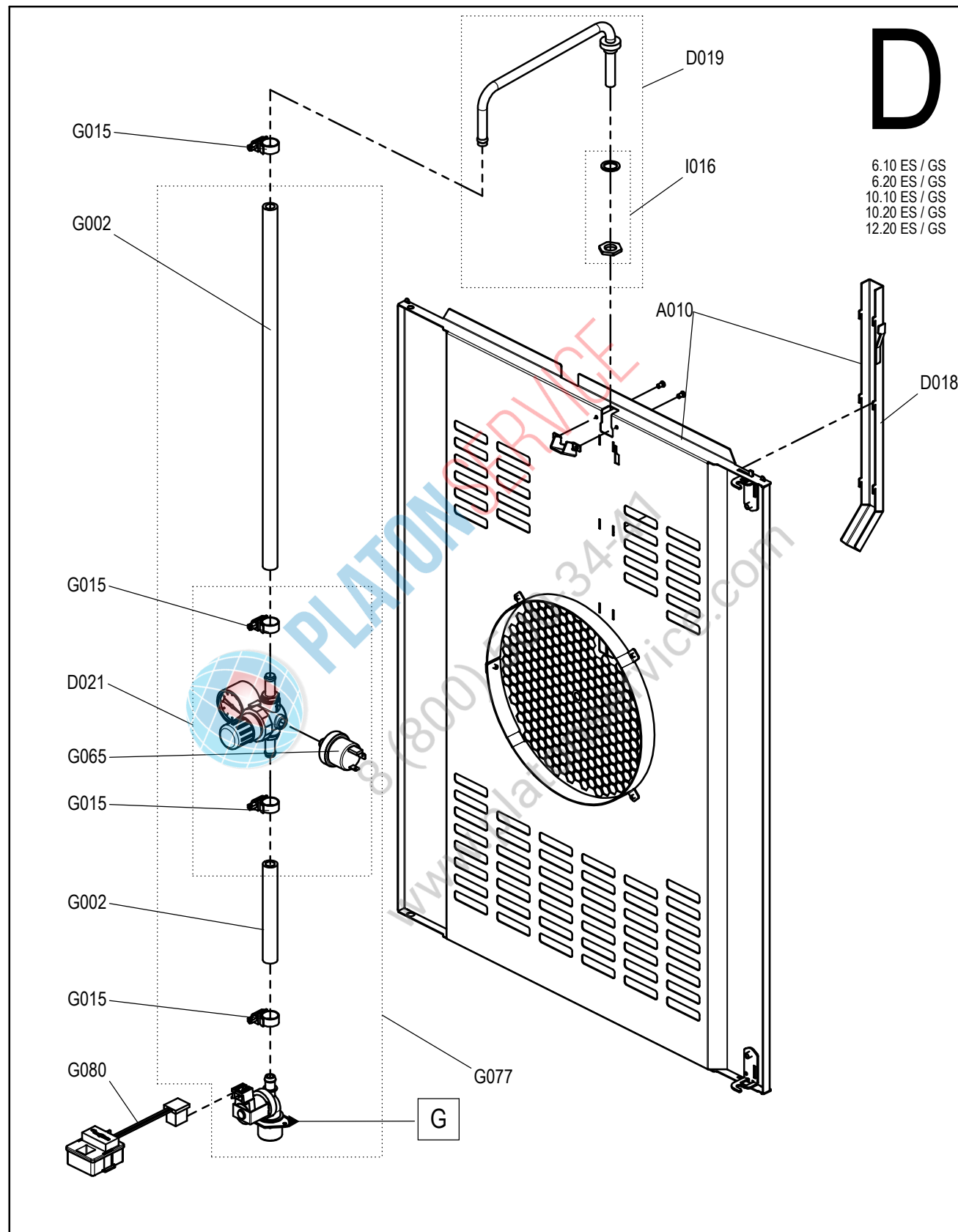
# D

6.10 GB  
6.20 GB  
10.10 GB  
10.20 GB  
12.20 GB  
20.10 GB  
20.20 GB



00	Z-Freigabe	Nov 09, 15	tfekete	Drawn	28.07.2015	aruhdorf
Rev	Remarks	Date	Name	App.	Nov 09, 15	tfekete

Laufende Verbesserungen des Produkts können Änderungen der Spezifikationen ohne expliziten Hinweis bedingen. Continuous improvements to the product may mean changes to the specification are made without explicit mention. 9965000\_00 Jul 27, 15 © 2015 Manitowoc.



**D**

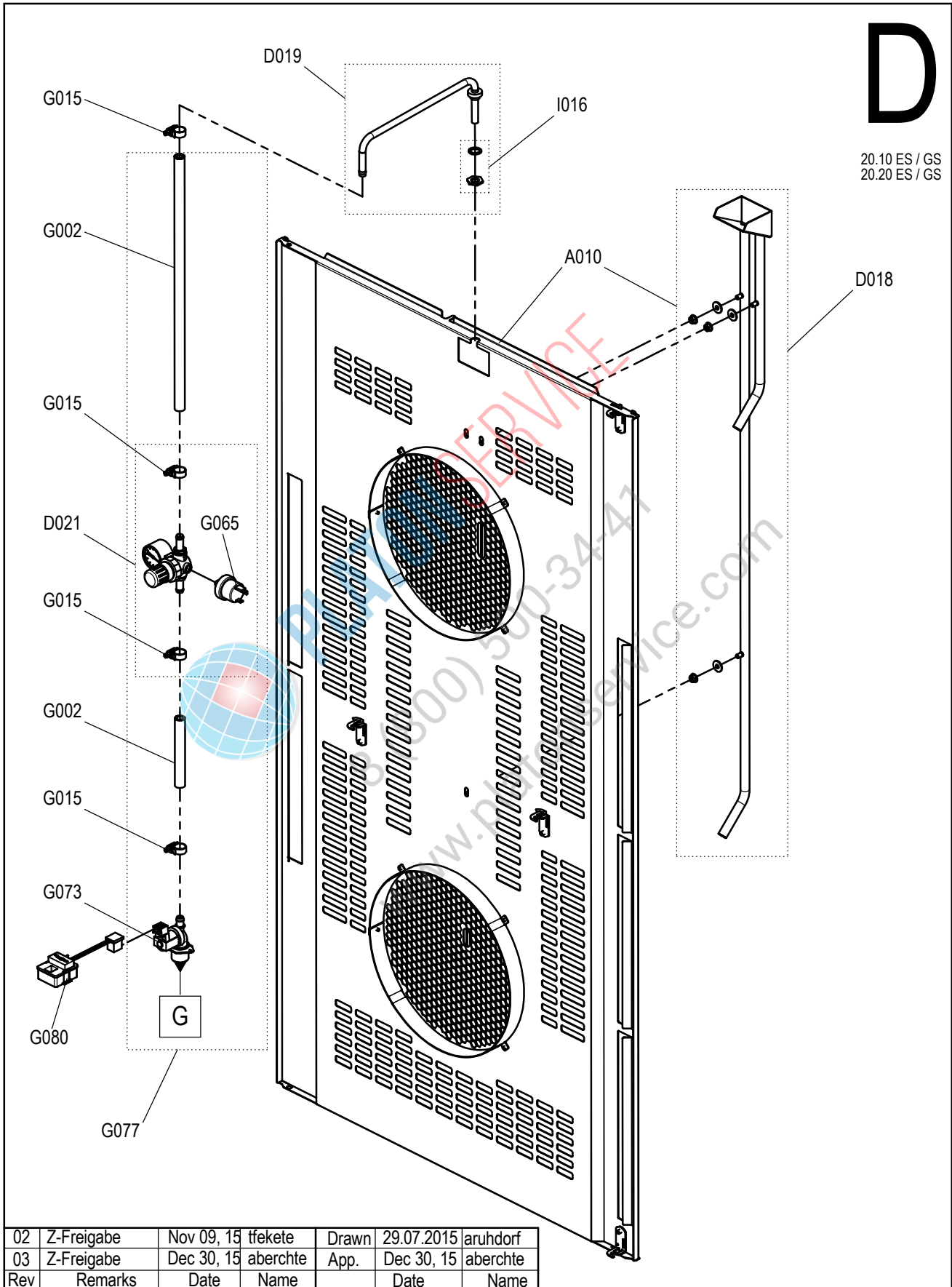
6.10 ES / GS  
6.20 ES / GS  
10.10 ES / GS  
10.20 ES / GS  
12.20 ES / GS

01	Z-Freigabe	Nov 09, 15	tfekete	Drawn	05.10.2015	aruhdorf
02	Z-Freigabe	Dec 30, 15	aberchte	App.	Dec 30, 15	aberchte
Rev	Remarks	Date	Name		Date	Name

Laufende Verbesserungen des Produkts können Änderungen der Spezifikationen ohne expliziten Hinweis bedingen. Continuous improvements to the product may mean changes to the specification are made without explicit mention.  
9665020\_02 Dec 30, 15 © 2015 Manitowoc.

# D

20.10 ES / GS  
20.20 ES / GS



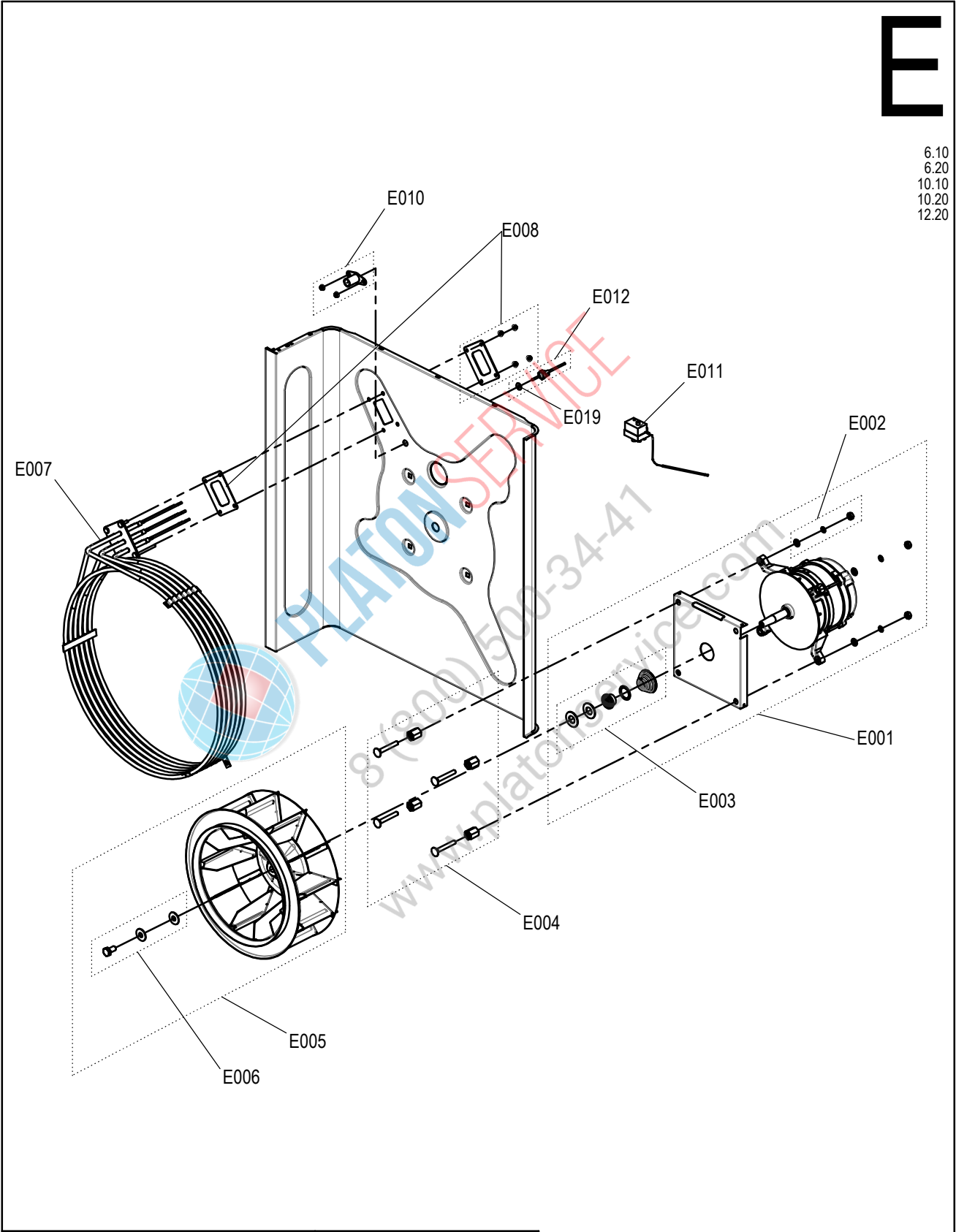
Laufende Verbesserungen des Produkts können Änderungen der Spezifikationen ohne expliziten Hinweis bedingen. Continuous improvements to the product may mean changes to the specification are made without explicit mention. 9965001\_03 Dec 30, 15 © 2015 Manitowoc.

02	Z-Freigabe	Nov 09, 15	tfekete	Drawn	29.07.2015	aruhdorf
03	Z-Freigabe	Dec 30, 15	aberchte	App.	Dec 30, 15	aberchte
Rev	Remarks	Date	Name		Date	Name

**E**

6.10  
6.20  
10.10  
10.20  
12.20

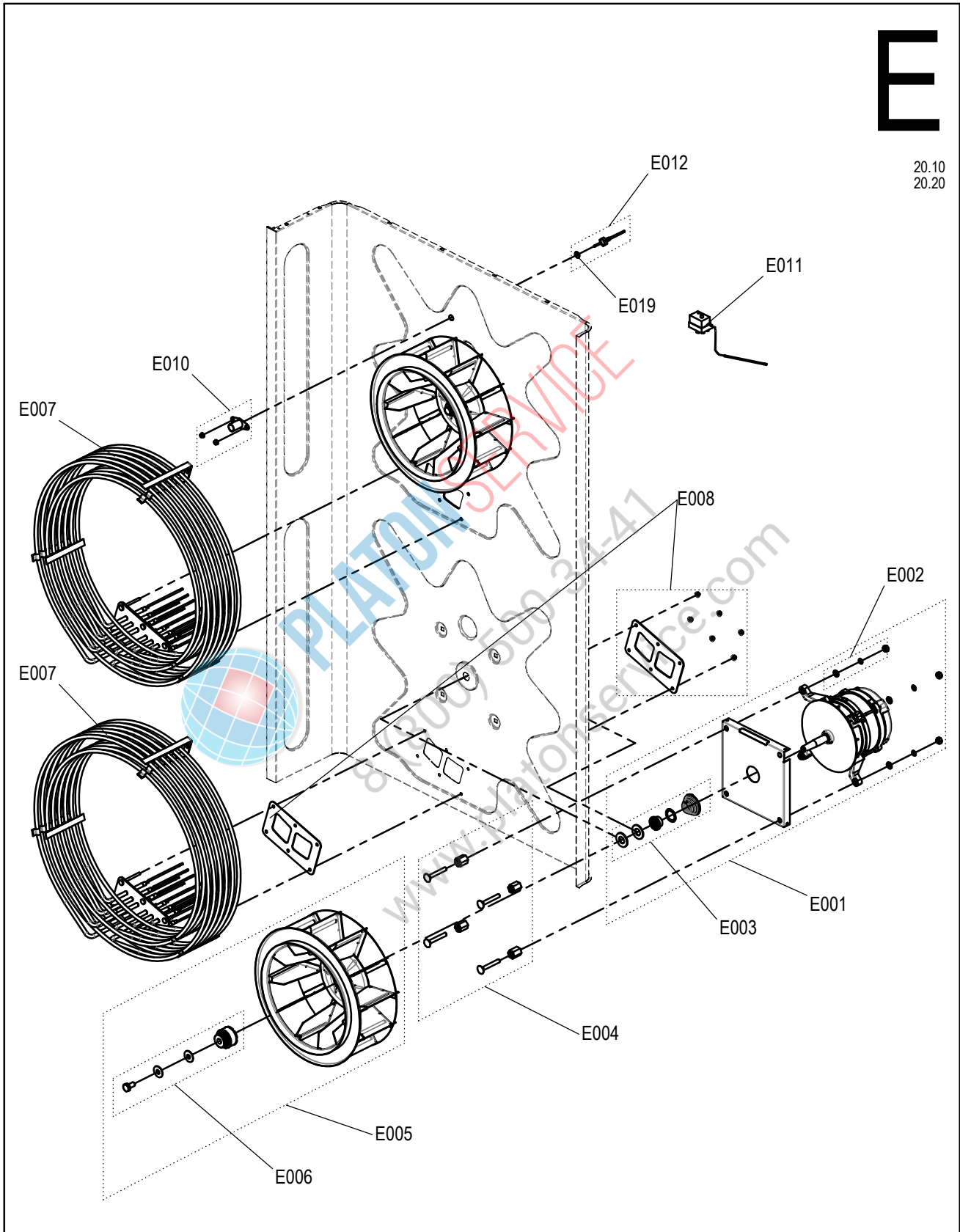
Laufende Verbesserungen des Produkts können Änderungen der Spezifikationen ohne expliziten Hinweis bedingen. Continuous improvements to the product may mean changes to the specification are made without explicit mention. 9665024\_00 Nov 04, 15 © 2015 Manitowoc.



00	Z-Freigabe	Nov 04, 15	tfekete	Drawn	09.10.2015	aruhdorf
Rev	Remarks	Date	Name	App.	Nov 04, 15	tfekete

# E

20.10  
20.20



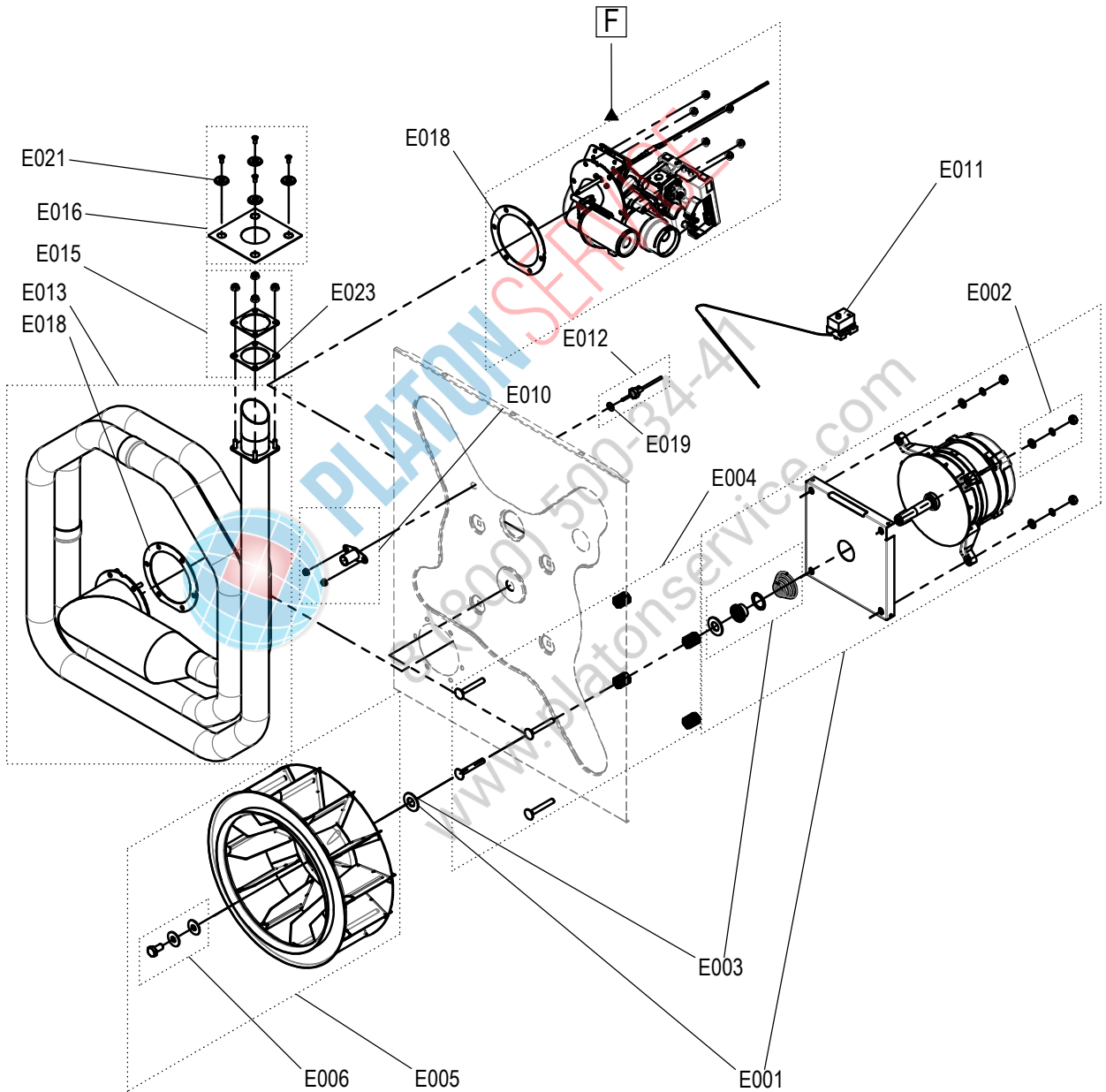
00	Z-Freigabe	Nov 04, 15	tfekete	Drawn	08.10.2015	aruhdorf
01	Z-Freigabe	Nov 09, 15	tfekete	App.	Nov 09, 15	tfekete
Rev	Remarks	Date	Name		Date	Name

Laufende Verbesserungen des Produkts können Änderungen der Spezifikationen ohne expliziten Hinweis bedingen. Continuous improvements to the product may mean changes to the specification are made without explicit mention.  
 9665023\_01 Nov 09, 15 © 2015 Manitowoc.



# E

6.10 GS / GB  
6.20 GS / GB  
10.10 GS / GB  
10.20 GS / GB  
12.20 GS / GB

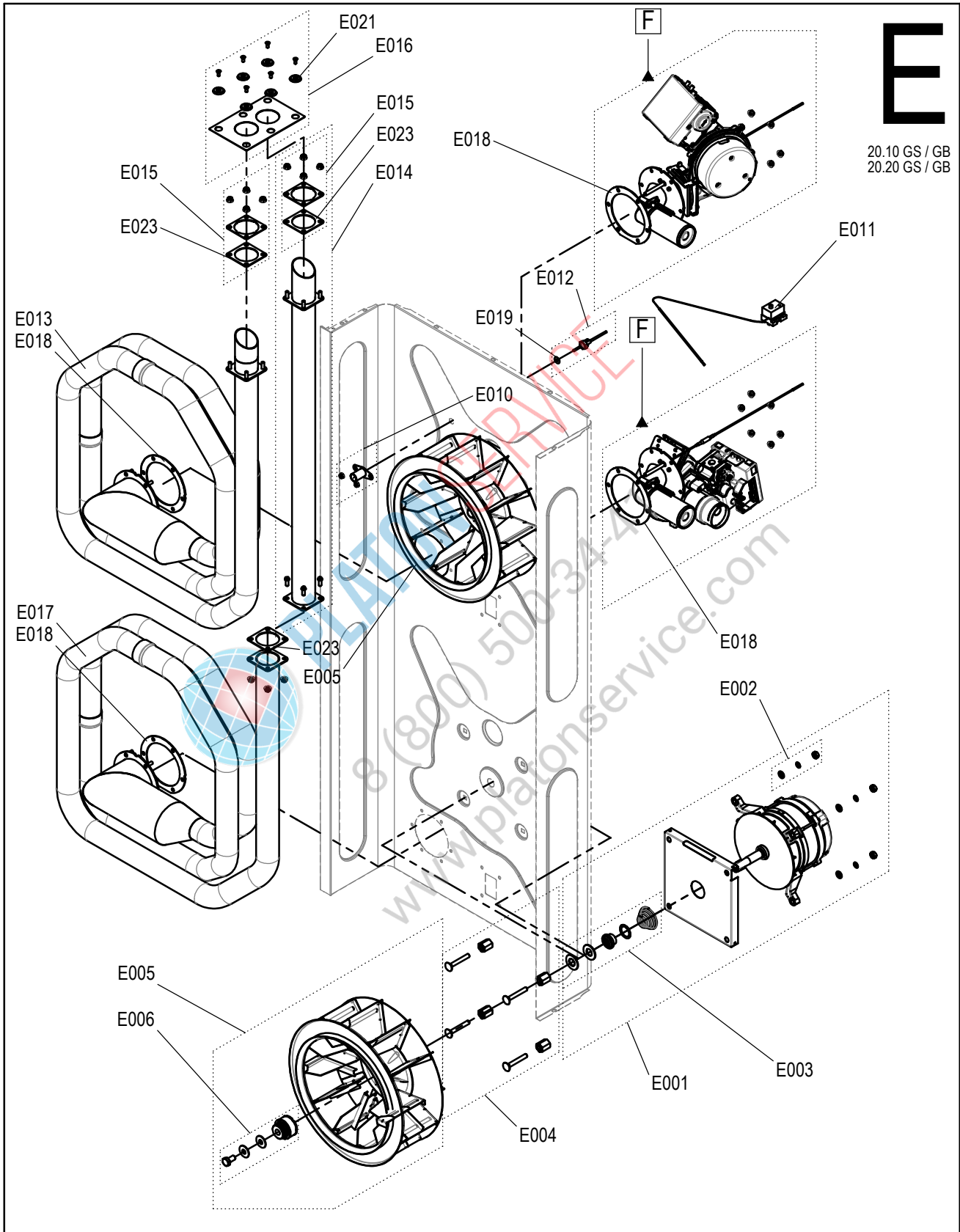


00	Z-Freigabe	Nov 09, 15	tfekete	Drawn	Aug 05, 15	aruhdorf
Rev	Remarks	Date	Name	App.	Nov 09, 15	tfekete

Laufende Verbesserungen des Produkts können Änderungen der Spezifikationen ohne expliziten Hinweis bedingen. Continuous improvements to the product may mean changes to the specification are made without explicit mention.  
9665005\_00 Jul 27, 15 © 2015 Manitowoc.

**E**

20.10 GS / GB  
20.20 GS / GB



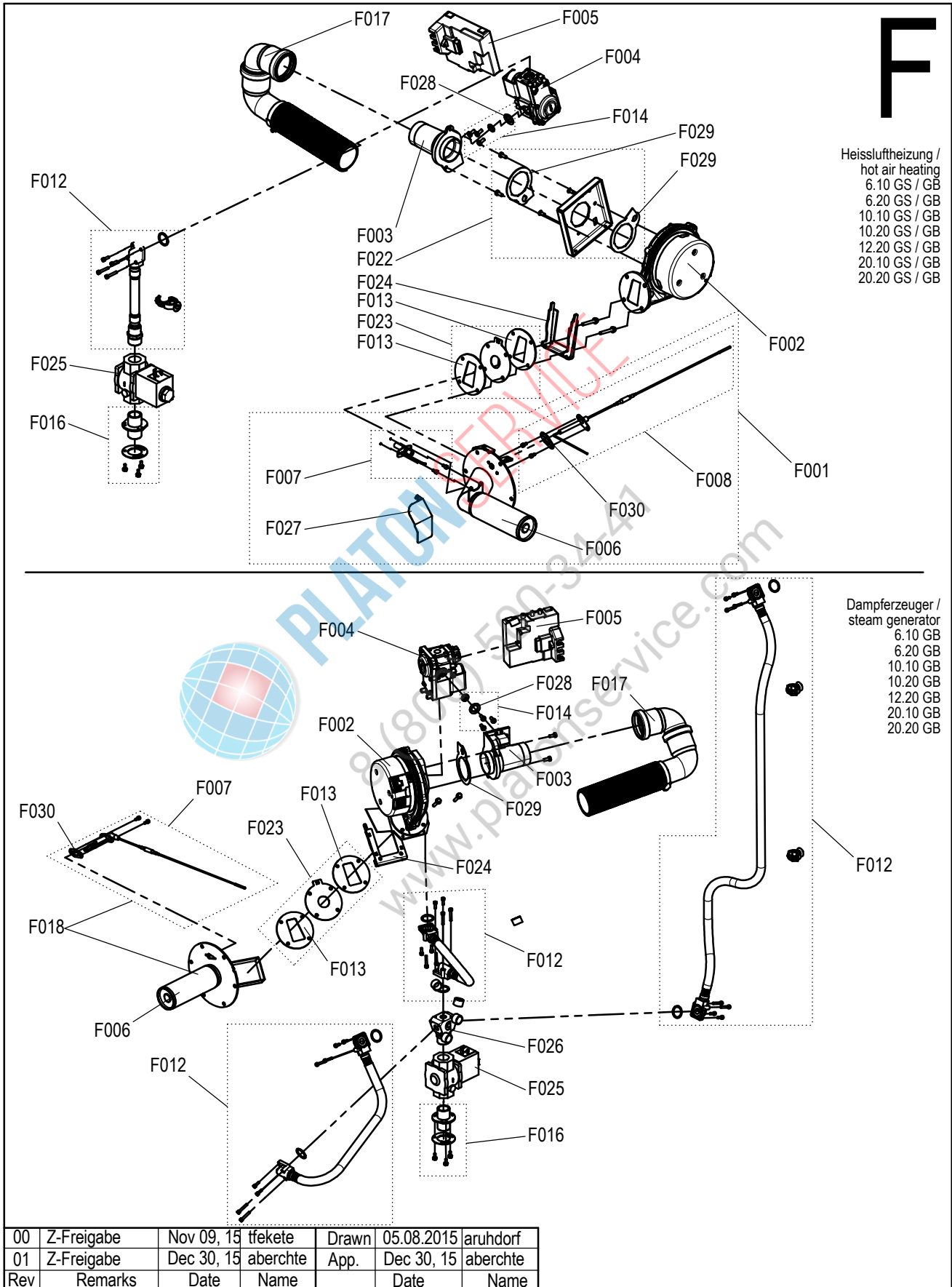
00	Z-Freigabe	Nov 09, 15	tfekete	Drawn	Aug 05, 15	aruhdorf
Rev	Remarks	Date	Name	App.	Nov 09, 15	tfekete

Laufende Verbesserungen des Produkts können Änderungen der Spezifikationen ohne expliziten Hinweis bedingen. Continuous improvements to the product may mean changes to the specification are made without explicit mention.  
9665006\_00 Jul 27, 15 © 2015 Manitowoc.

# F

Heissluftheizung /  
hot air heating  
6.10 GS / GB  
6.20 GS / GB  
10.10 GS / GB  
10.20 GS / GB  
12.20 GS / GB  
20.10 GS / GB  
20.20 GS / GB

Dampferzeuger /  
steam generator  
6.10 GB  
6.20 GB  
10.10 GB  
10.20 GB  
12.20 GB  
20.10 GB  
20.20 GB



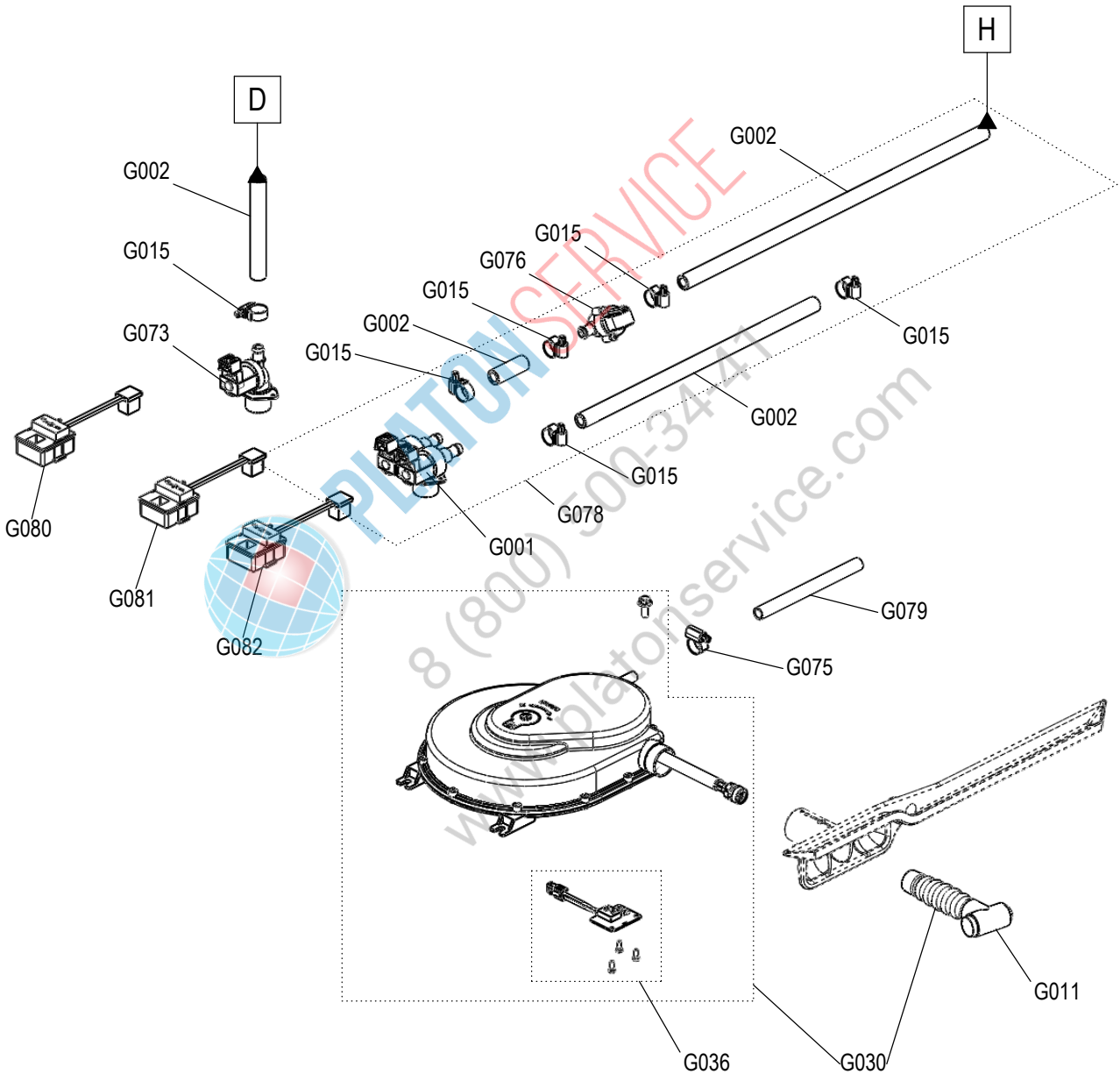
Laufende Verbesserungen des Produkts können Änderungen der Spezifikationen ohne expliziten Hinweis bedingen. Continuous improvements to the product may mean changes to the specification are made without explicit mention.  
 9665007\_01 Dec 30, 15 © 2015 Manitowoc.

00	Z-Freigabe	Nov 09, 15	tfekete	Drawn	05.08.2015	aruhdorf
01	Z-Freigabe	Dec 30, 15	aberchte	App.	Dec 30, 15	aberchte
Rev	Remarks	Date	Name		Date	Name

# G

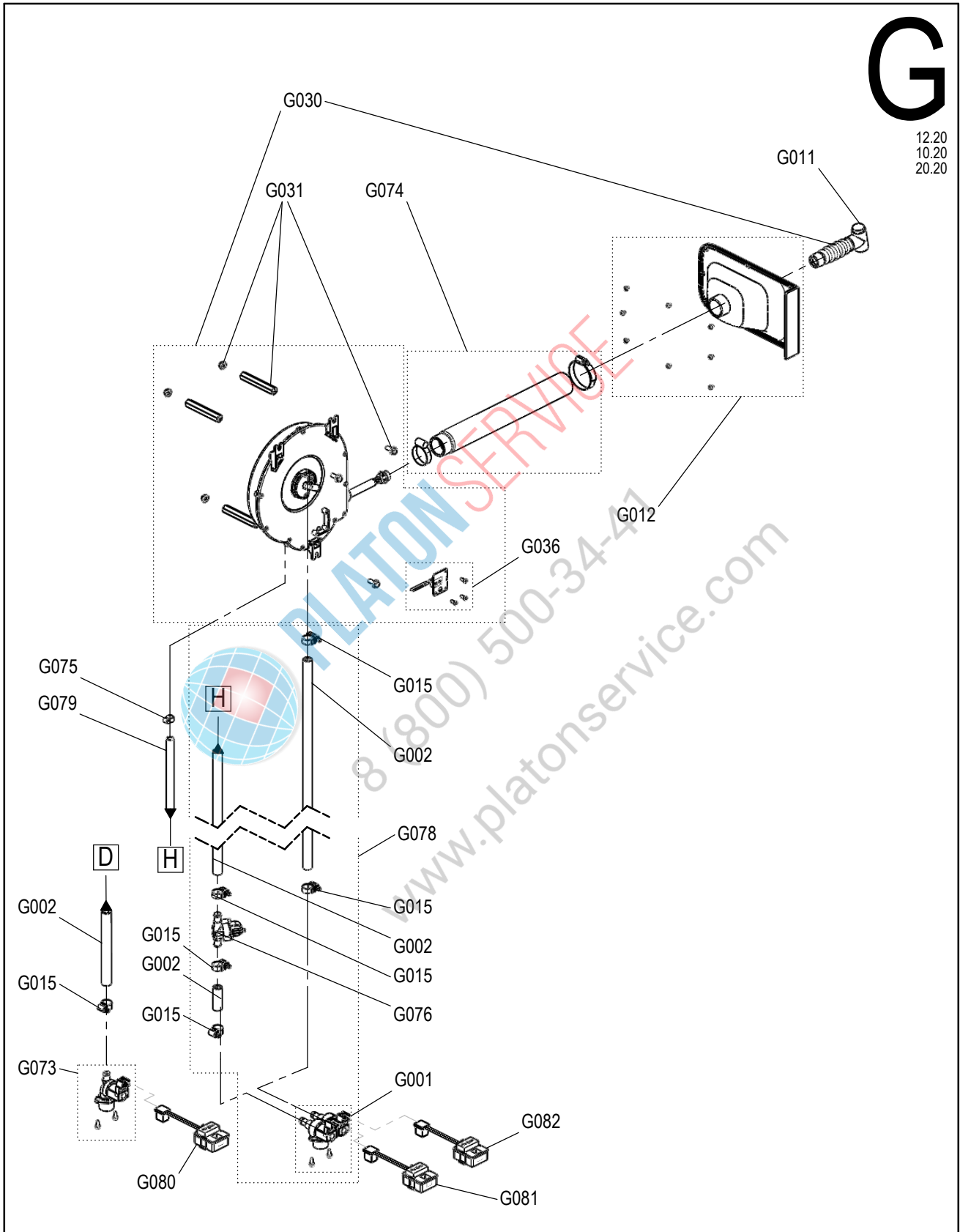
6.10  
6.20  
10.10  
10.20

Laufende Verbesserungen des Produkts können Änderungen der Spezifikationen ohne expliziten Hinweis bedingen. Continuous improvements to the product may mean changes to the specification are made without explicit mention. 9665021\_01 Dec 30, 15 © 2015 Manitowoc.



00	Z-Freigabe	Nov 09, 15	tfekete	Drawn	05.10.2015	aruhdorf
01	Z-Freigabe	Dec 30, 15	aberchte	App.	Dec 30, 15	aberchte
Rev	Remarks	Date	Name		Date	Name

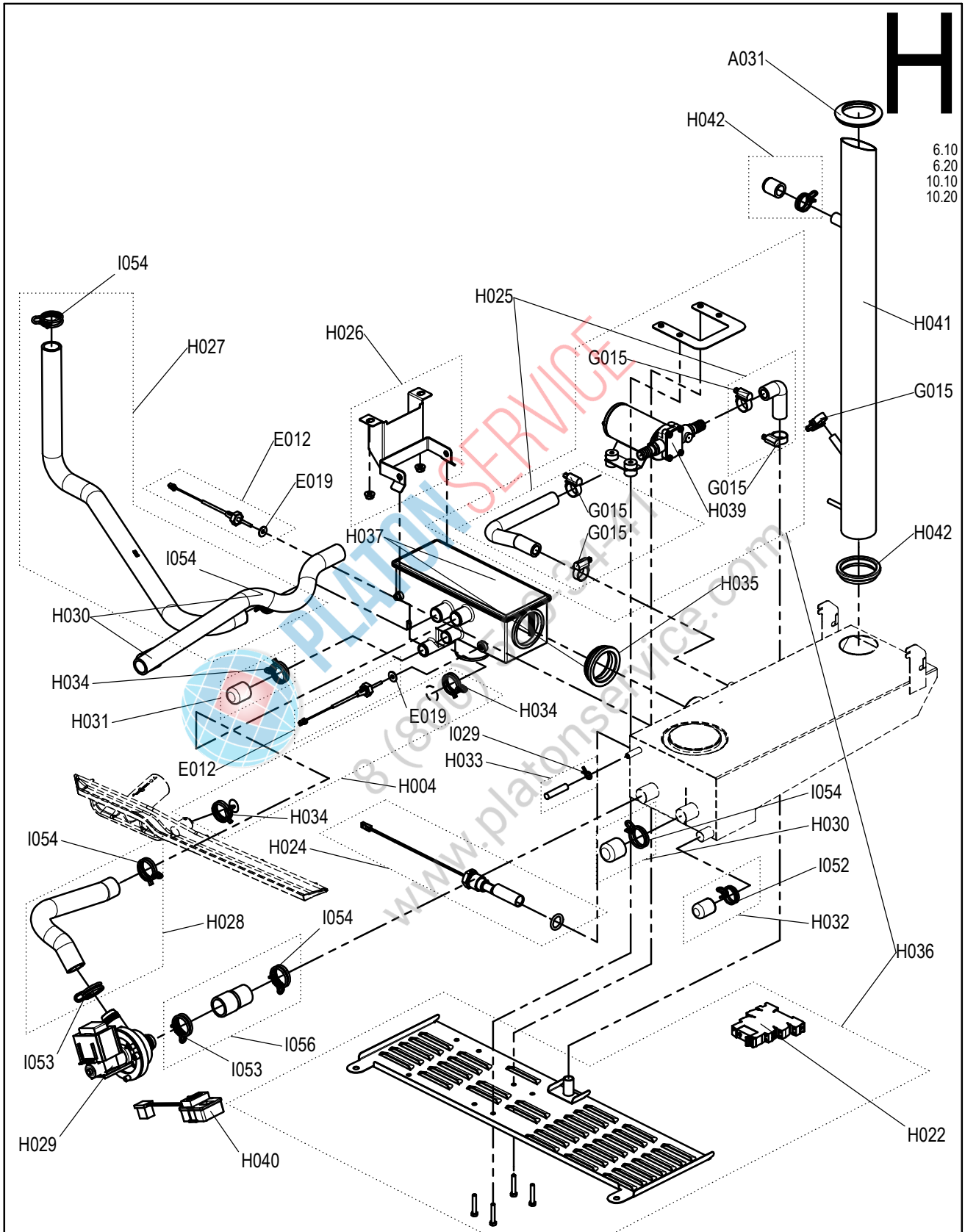
**G**  
12.20  
10.20  
20.20



Laufende Verbesserungen des Produkts können Änderungen der Spezifikationen ohne expliziten Hinweis bedingen. Continuous improvements to the product may mean changes to the specification are made without explicit mention. 9665002\_00 Jul 27, 15 © 2015 Manitowoc.

00	Z-Freigabe	Nov 09, 15	tfekete	Drawn	30.07.2015	aruhdorf
Rev	Remarks	Date	Name	App.	Nov 09, 15	tfekete

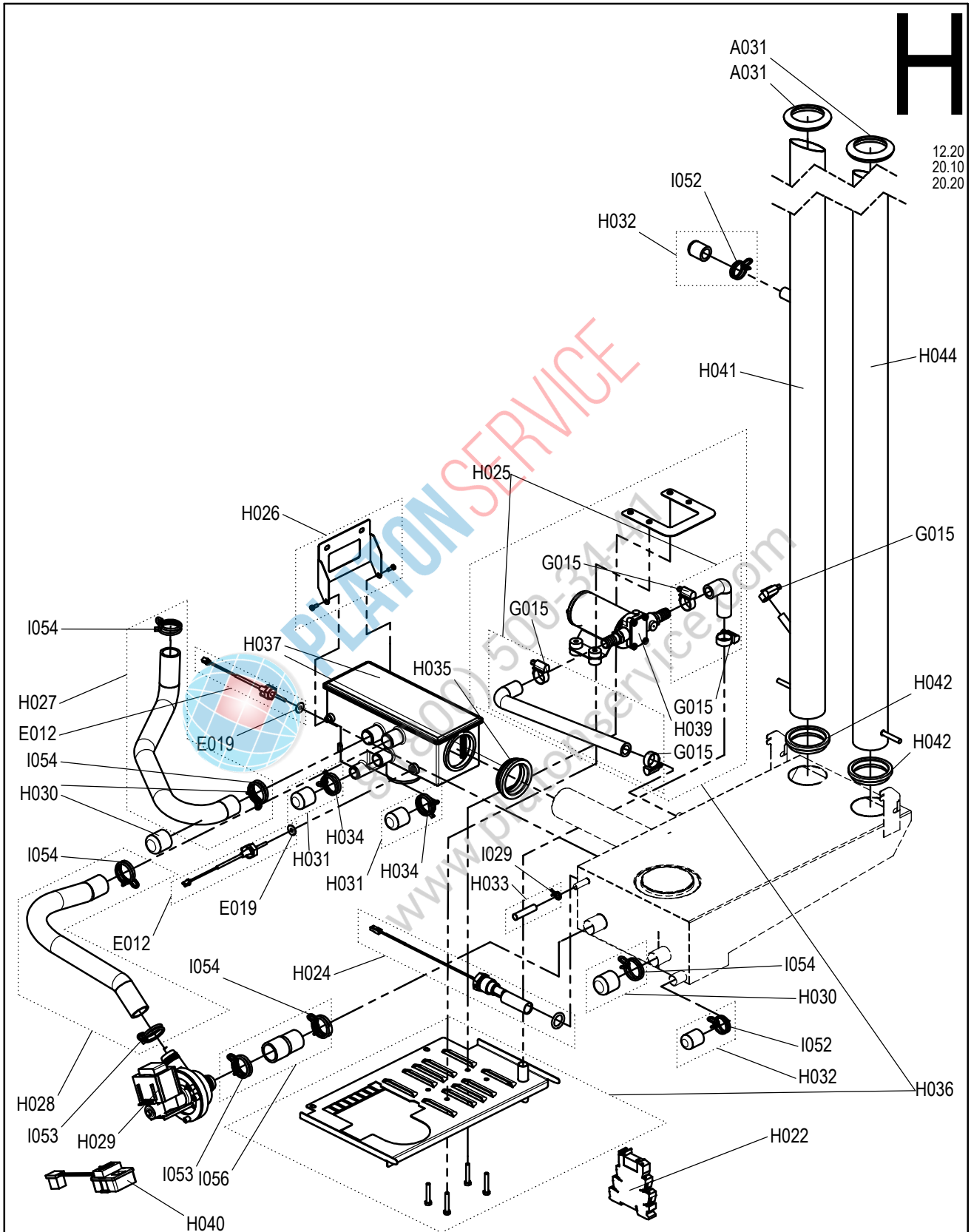




00	Z-Freigabe	Nov 09, 15	tfekete	Drawn	05.10.2015	aruhdorf
01	Z-Freigabe	Dec 30, 15	aberchte	App.	Dec 30, 15	aberchte
Rev	Remarks	Date	Name		Date	Name

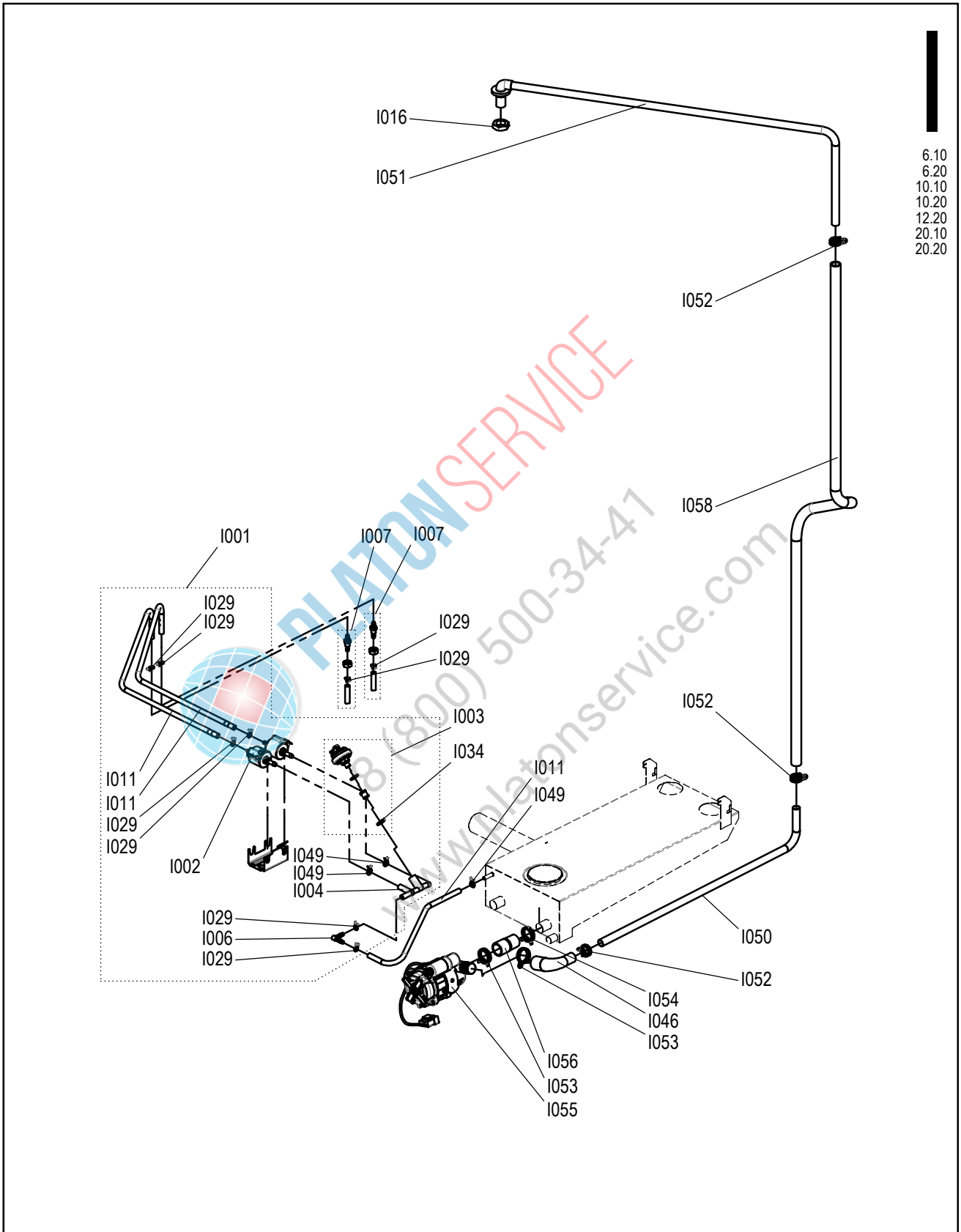
Laufende Verbesserungen des Produkts können Änderungen der Spezifikationen ohne expliziten Hinweis bedingen. Continuous improvements to the product may mean changes to the specification are made without explicit mention. 9665022\_01 Dec 30, 15 © 2015 Manitowoc.





Laufende Verbesserungen des Produkts können Änderungen der Spezifikationen ohne expliziten Hinweis bedingen. Continuous improvements to the product may mean changes to the specification are made without explicit mention. 9665014\_01 Dec 30, 15 © 2015 Manitowoc.

00	Z-Freigabe	Nov 09, 15	tfekete	Drawn	Sep 03, 15	aruhdorf
01	Z-Freigabe	Dec 30, 15	aberchte	App.	Dec 30, 15	aberchte
Rev	Remarks	Date	Name		Date	Name

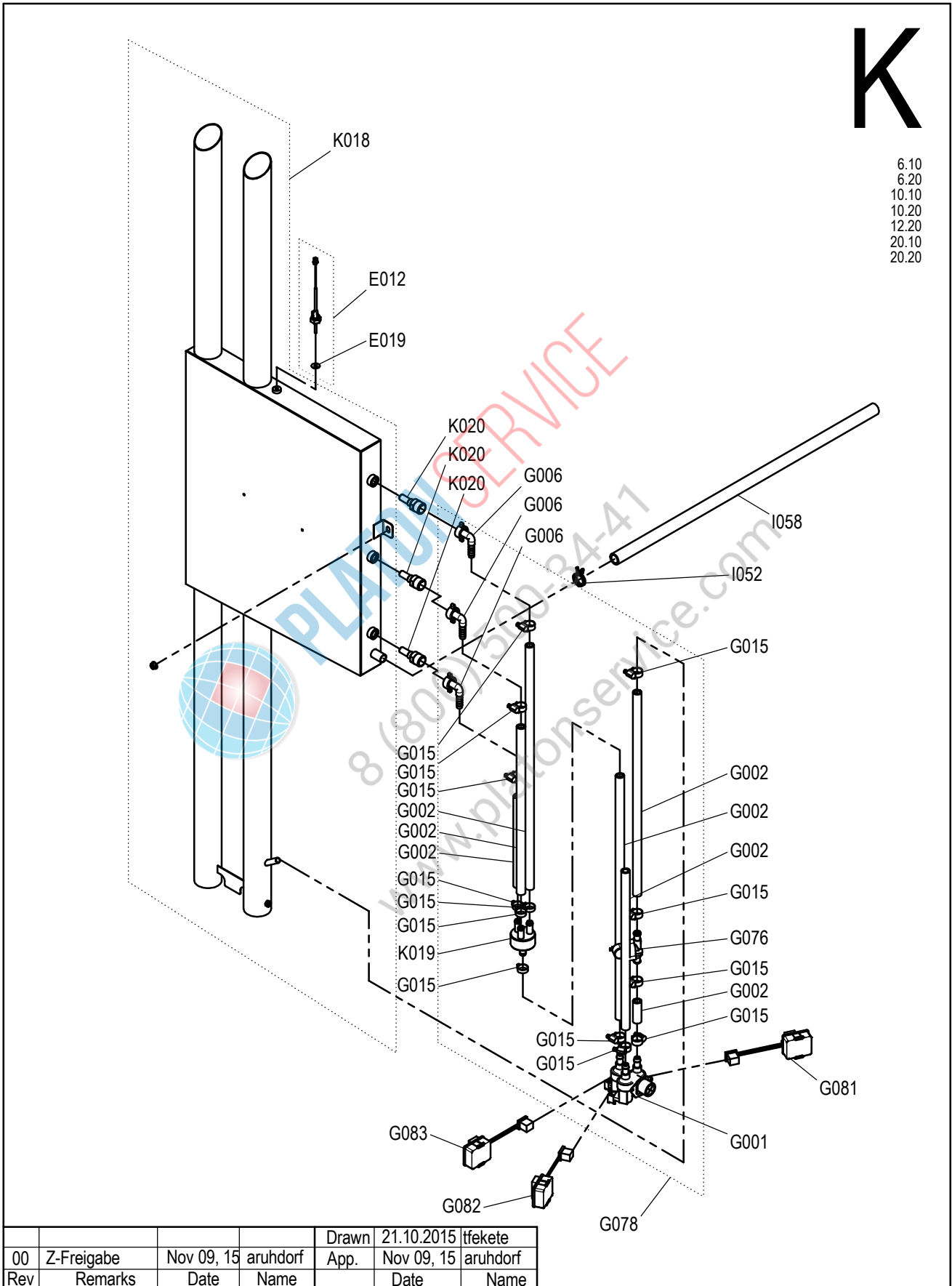


Laufende Verbesserungen des Produkts können Änderungen der Spezifikationen ohne expliziten Hinweis bedingen. Continuous improvements to the product may mean changes to the specification are made without explicit mention.  
9665004\_00 Jul 27, 15 Nov 05, 15 © 2015 Manitowoc.

00	Z-Freigabe	Nov 05, 15	tfekete	Drawn	Aug 04, 15	aruhdorf
Rev	Remarks	Date	Name	App.	Nov 05, 15	tfekete

# K

6.10  
6.20  
10.10  
10.20  
12.20  
20.10  
20.20

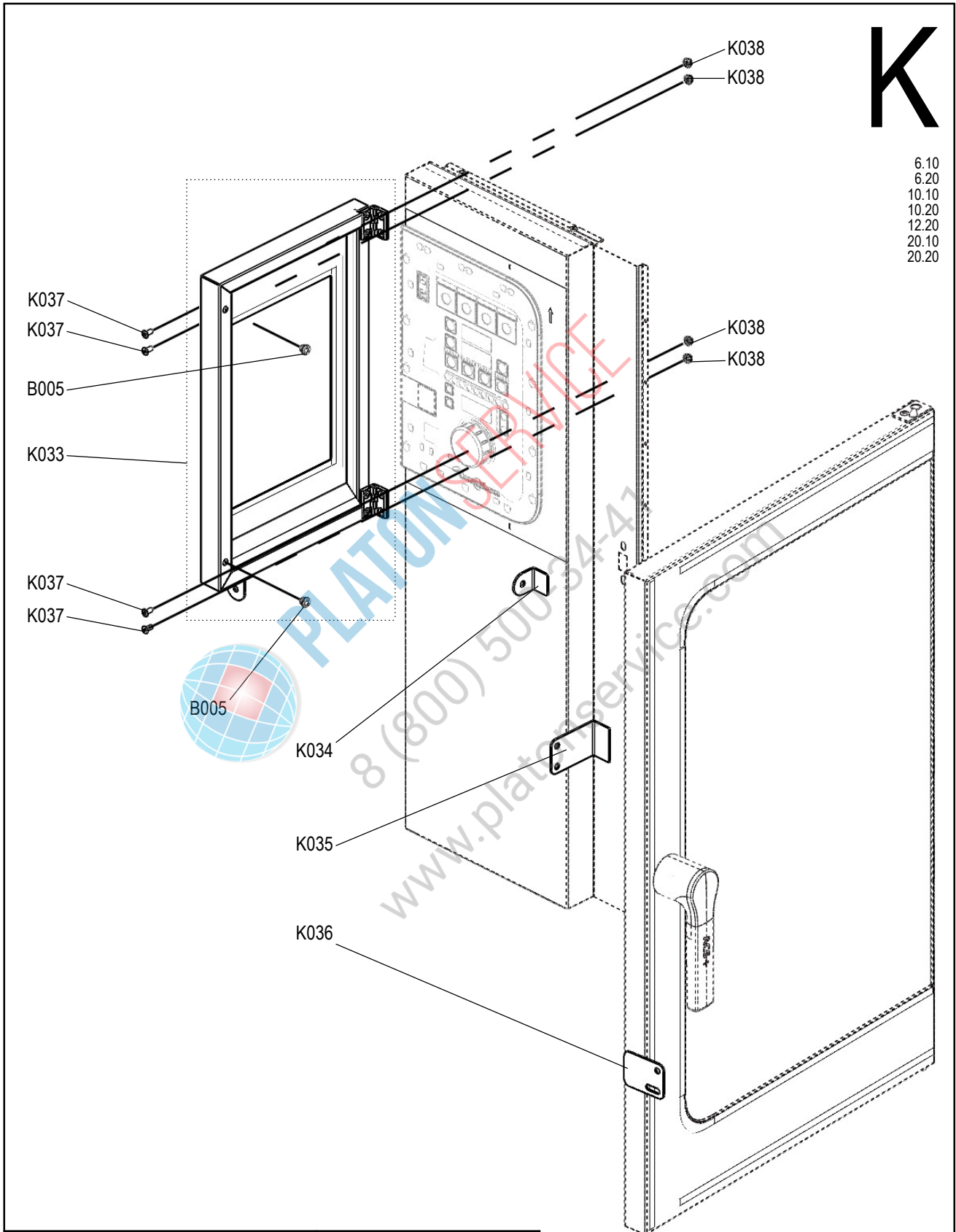


				Drawn	21.10.2015	tfekete
00	Z-Freigabe	Nov 09, 15	aruhdorf	App.	Nov 09, 15	aruhdorf
Rev	Remarks	Date	Name		Date	Name

Laufende Verbesserungen des Produkts können Änderungen der Spezifikationen ohne expliziten Hinweis bedingen. Continuous improvements to the product may mean changes to the specification are made without explicit mention.  
9665029\_00 Nov 09, 15 © 2015 Manitowoc.

# K

6.10  
6.20  
10.10  
10.20  
12.20  
20.10  
20.20



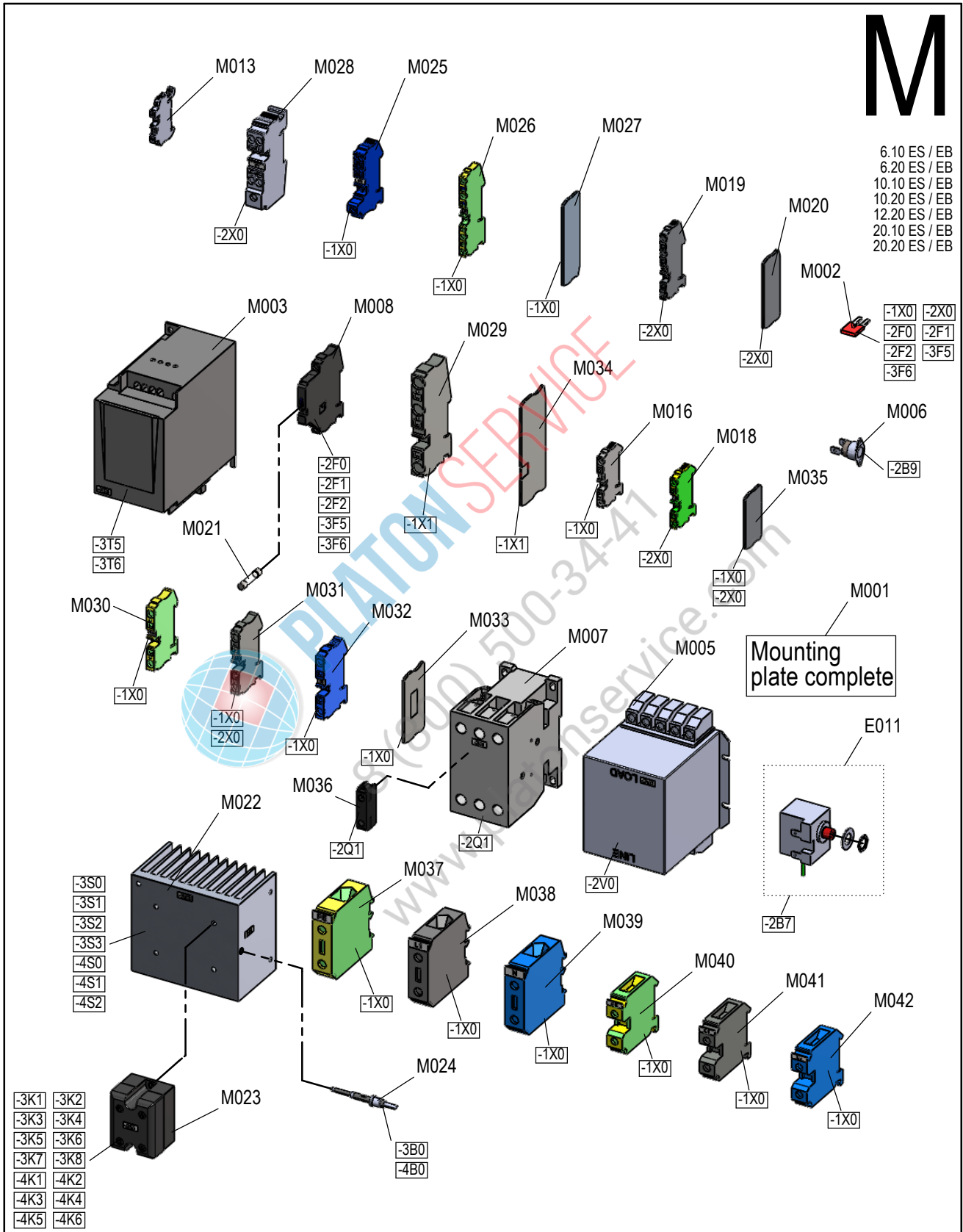
00	Z-Freigabe	Nov 11, 15	tfekete	Drawn	Nov 10, 15	aruhdorf
Rev	Remarks	Date	Name	App.	Nov 11, 15	tfekete

Laufende Verbesserungen des Produkts können Änderungen der Spezifikationen ohne expliziten Hinweis bedingen. Continuous improvements to the product may mean changes to the specification are made without explicit mention.  
9665027\_00 Nov 11, 15 © 2015 Manitowoc.

# M

6.10 ES / EB  
6.20 ES / EB  
10.10 ES / EB  
10.20 ES / EB  
12.20 ES / EB  
20.10 ES / EB  
20.20 ES / EB

Laufende Verbesserungen des Produkts können Änderungen der Spezifikationen ohne expliziten Hinweis bedingen. Continuous improvements to the product may mean changes to the specification are made without explicit mention.



- 3K1 -3K2
- 3K3 -3K4
- 3K5 -3K6
- 3K7 -3K8
- 4K1 -4K2
- 4K3 -4K4
- 4K5 -4K6

- 3S0
- 3S1
- 3S2
- 3S3
- 4S0
- 4S1
- 4S2

- 3T5
- 3T6

- 2F0
- 2F1
- 2F2
- 3F5
- 3F6

- 1X0 -2X0
- 2F0 -2F1
- 2F2 -3F5
- 3F6

- 2B9

- 1X0
- 2X0

- 1X0

- 2Q1

- 2Q1

- 2V0

- 2B7

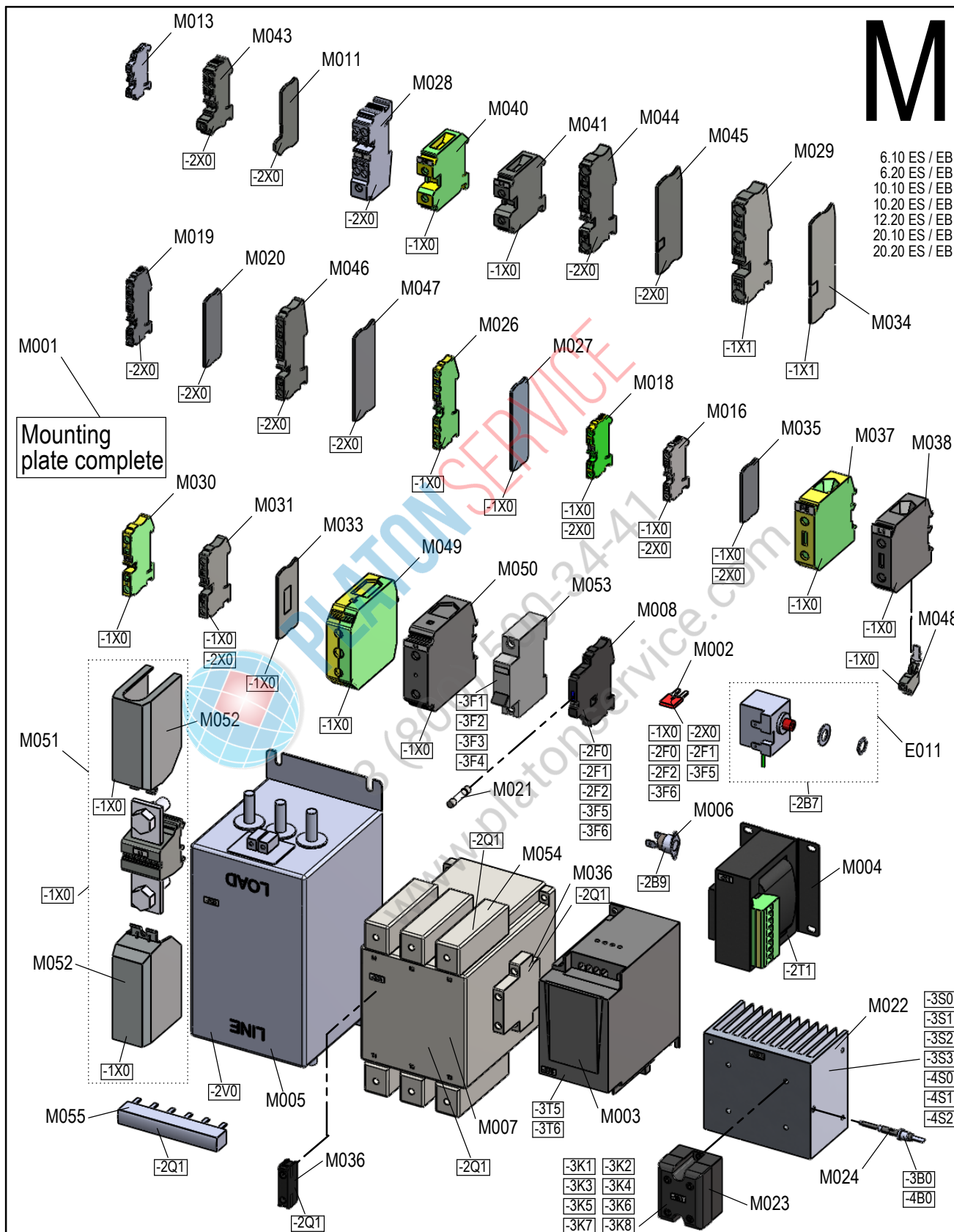
- 3B0
- 4B0

00	Z-Freigabe	Nov 09, 15	tfekete	Drawn	21.10.2015	aruhdorf
Rev	Remarks	Date	Name	App.	Nov 09, 15	tfekete



# M

6.10 ES / EB  
6.20 ES / EB  
10.10 ES / EB  
10.20 ES / EB  
12.20 ES / EB  
20.10 ES / EB  
20.20 ES / EB



Laufende Verbesserungen des Produkts können Änderungen der Spezifikationen ohne expliziten Hinweis bedingen. Continuous improvements to the product may mean changes to the specification are made without explicit mention.  
 9665017\_00 Nov 09, 15 © 2015 Manitowoc.

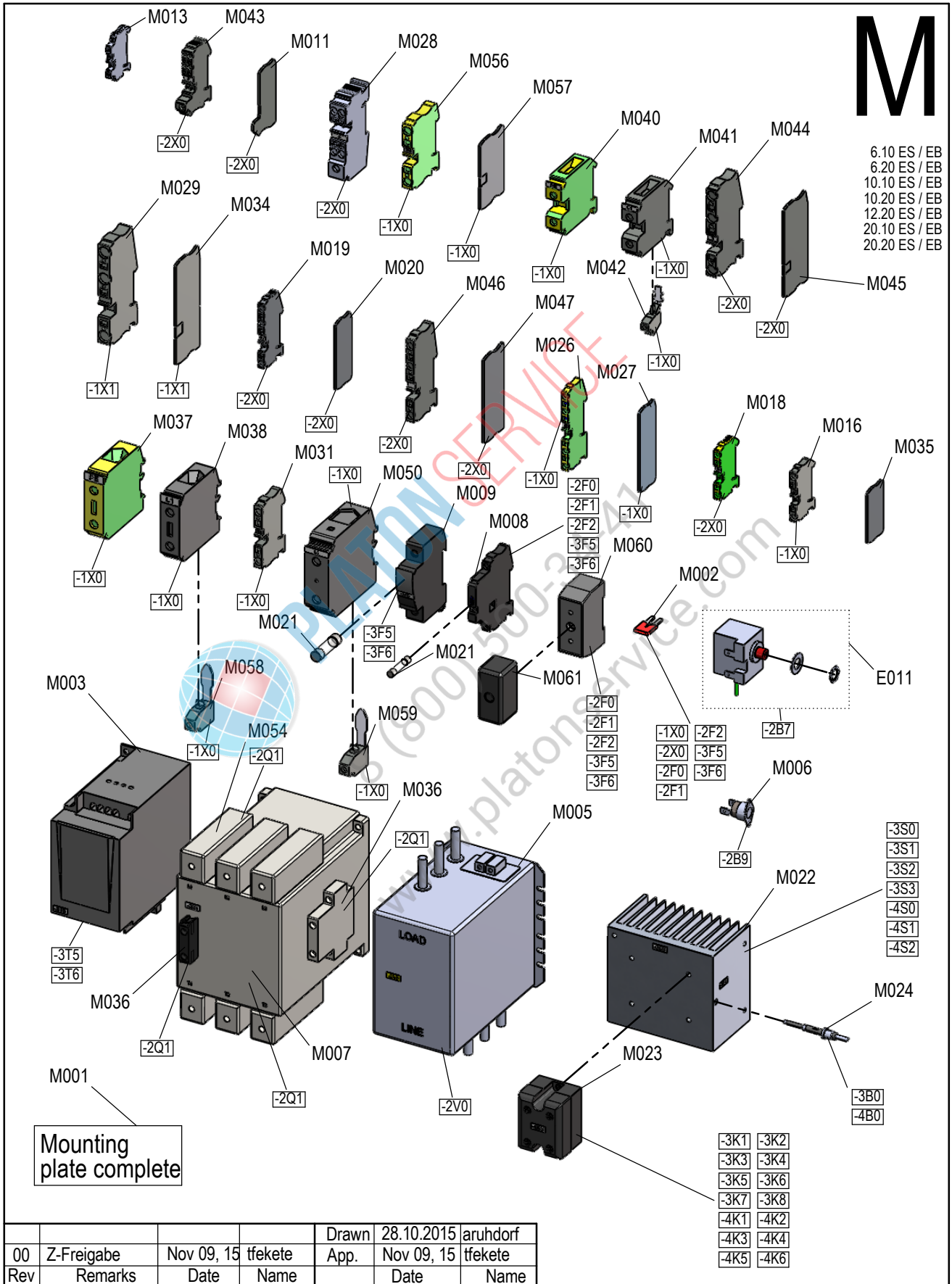
Rev	Remarks	Date	Name	Drawn	Date	Name
00	Z-Freigabe	Nov 09, 15	tfekete	App.	Nov 09, 15	tfekete



# M

6.10 ES / EB  
6.20 ES / EB  
10.10 ES / EB  
10.20 ES / EB  
12.20 ES / EB  
20.10 ES / EB  
20.20 ES / EB

Laufende Verbesserungen des Produkts können Änderungen der Spezifikationen ohne expliziten Hinweis bedingen. Continuous improvements to the product may mean changes to the specification are made without explicit mention. 9665026\_00 Nov 09, 15 © 2015 Manitowoc.



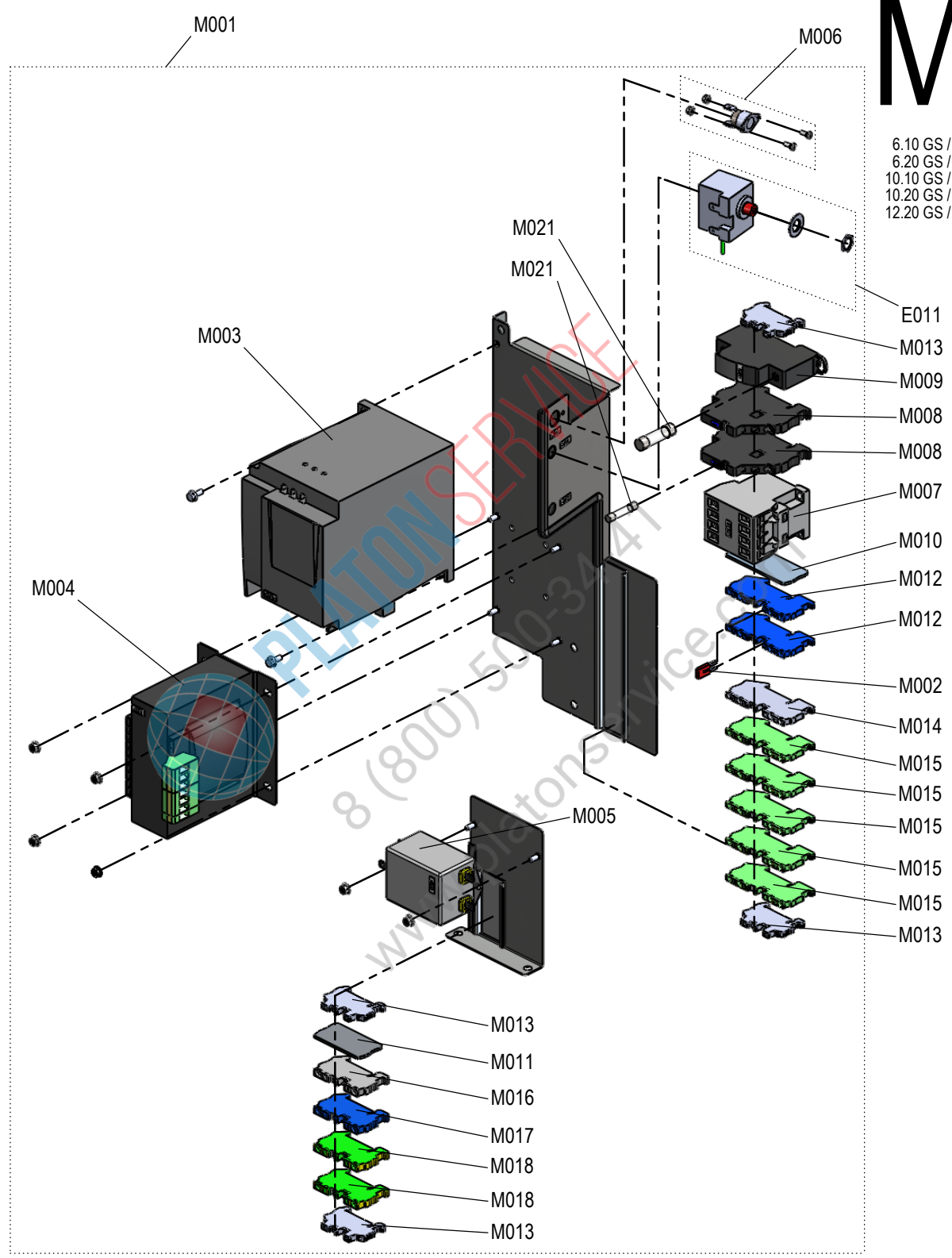
Mounting plate complete

00	Z-Freigabe	Nov 09, 15	tfekete	Drawn	28.10.2015	aruhdorf
Rev	Remarks	Date	Name	App.	Nov 09, 15	tfekete

- 3K1
- 3K2
- 3K3
- 3K4
- 3K5
- 3K6
- 3K7
- 3K8
- 4K1
- 4K2
- 4K3
- 4K4
- 4K5
- 4K6

# M

6.10 GS / GB  
6.20 GS / GB  
10.10 GS / GB  
10.20 GS / GB  
12.20 GS / GB

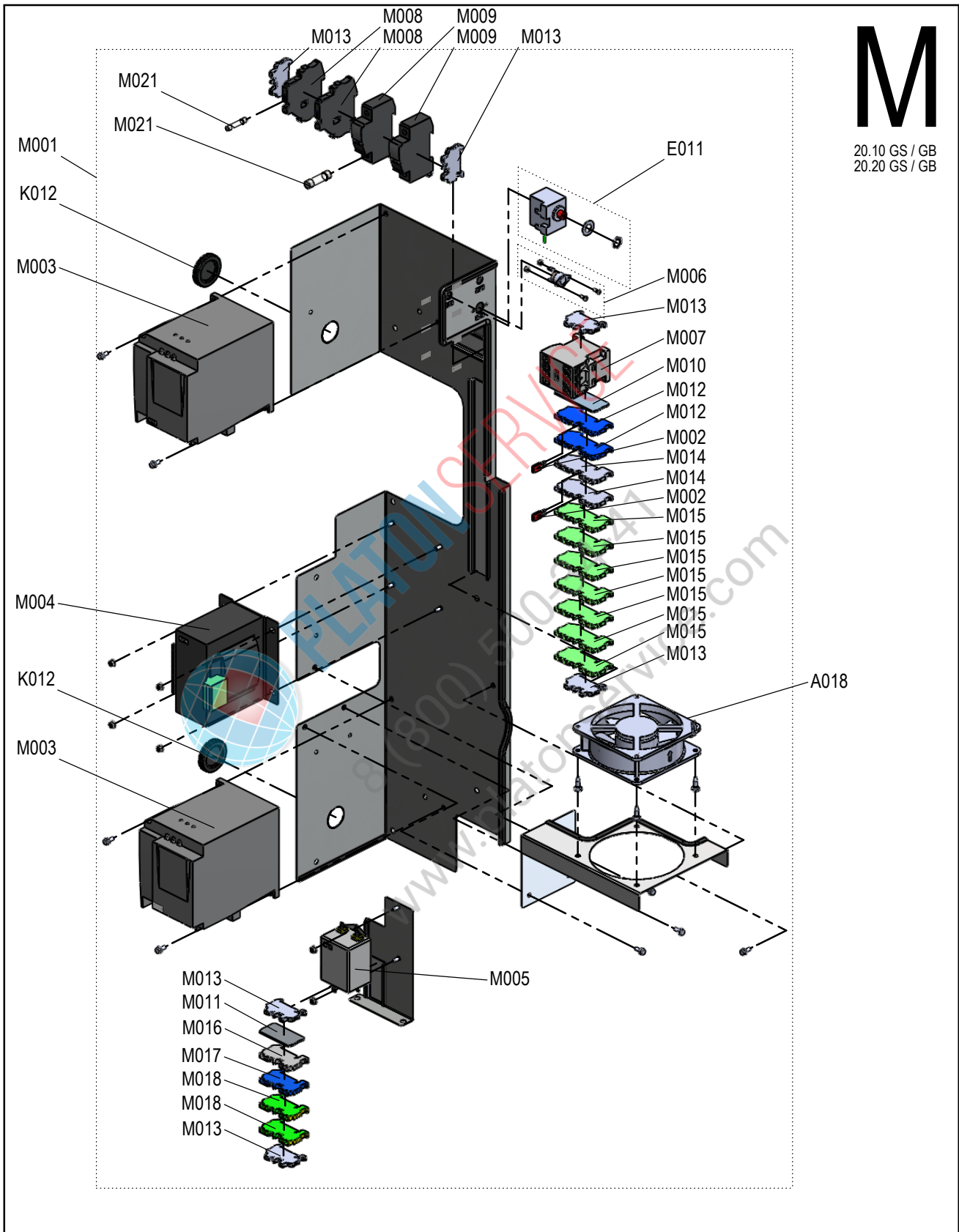


00	Z-Freigabe	Nov 09, 15	tfekete	Drawn	28.09.2015	aruhdorf
Rev	Remarks	Date	Name	App.	Nov 09, 15	tfekete

Laufende Verbesserungen des Produkts können Änderungen der Spezifikationen ohne expliziten Hinweis bedingen. Continuous improvements to the product may mean changes to the specification are made without explicit mention.  
9665015\_00 Nov 09, 15 © 2015 Manitowoc.

**M**

20.10 GS / GB  
 20.20 GS / GB



00	Z-Freigabe	Nov 09, 15	tfekete	Drawn	Aug 27, 15	aruhdorf
Rev	Remarks	Date	Name	App.	Nov 09, 15	tfekete

Laufende Verbesserungen des Produkts können Änderungen der Spezifikationen ohne expliziten Hinweis bedingen. Continuous improvements to the product may mean changes to the specification are made without explicit mention.  
 9665009\_00 Nov 09, 15 © 2015 Manitowoc.

#	ET-Nr. Part No	Beschreibung	Description	Elektro						
					6.10	10.10	10.20	12.20	20.20	
A001	2164261	Abdeckung links 6.10 Convotherm4	Left cover 6.10 Convotherm4	x	x	1				
A001	2164262	Abdeckung links 6.20 Convotherm4	Left cover6.20 Convotherm4	x	x	1				
A001	2164263	Abdeckung links 10.10 Convotherm4	Left cover 10.10 Convotherm4	x	x		1			
A001	2164264	Abdeckung links 10.20 Convotherm4	Left cover 10.20 Convotherm4	x	x			1		
A001	2164265	Abdeckung links 12.20 Convotherm4	left cover12.20 Convotherm4	x	x				1	
A001	2164266	Abdeckung links 20.10 Convotherm4	left cover 20.10 Convotherm4	x	x					1
A001	2164267	Abdeckung links 20.20 Convotherm4	Left cover20.20 Convotherm4	x	x					1
A002	2161809NP	Rückwand 6.10 Convotherm4	Rear panel 6.10 Convotherm4	x	x	1				
A002	2161807NP	Rückwand 6.20 Convotherm4	Rear panel 6.20 Convotherm4	x	x	1				
A002	2161908NP	Rückwand 10.10 Convotherm4	Rear panel 10.10 Convotherm4	x	x		1			
A002	2161904NP	Rückwand 10.20 Convotherm4	Rear panel 10.20 Convotherm4	x	x			1		
A002	2161903NP	Rückwand 12.20 Convotherm4	Rear panel 12.20 Convotherm4	x	x				1	
A002	2161865NP	Rückwand 20.10 Convotherm4	Rear panel 20.10 Convotherm4	x	x					1
A002	2161864NP	Rückwand 20.20 Convotherm4	Rear panel 20.20 Convotherm4	x	x					1
A003	2151066NP	Frontteil 6.10 Convotherm4	Frontpart 6.10 Convotherm4	x	x	1				
A003	2151219NP	Frontteil 6.20 Convotherm4	Frontpart 6.20 Convotherm4	x	x	1				
A003	2151192NP	Frontteil 10.10 Convotherm4	Frontpart 10.10 Convotherm4	x	x		1			
A003	2151108NP	Frontteil 10.20 Convotherm4	Frontpart 10.20 Convotherm4	x	x			1		
A003	2151270NP	Frontteil 12.20 Convotherm4	Frontpart 12.20 Convotherm4	x	x				1	
A003	2151246NP	Frontteil 20.10 Convotherm4	Frontpart 20.10 Convotherm4	x	x					1
A003	2151154NP	Frontteil 20.20 Convotherm4	Frontpart 20.20 Convotherm4	x	x					1
A003	2163008NP	Frontteil 6.10 Sous Vide Convotherm4	Frontpart 6.10 Sous Vide Convotherm4	x	x	1				
A003	2163006NP	Frontteil 6.20 Sous Vide Convotherm4	Frontpart 6.20 Sous Vide Convotherm4	x	x	1				
A003	2163010NP	Frontteil 10.10 Sous Vide Convotherm4	Frontpart 10.10 Sous Vide Convotherm4	x	x		1			
A003	2163011NP	Frontteil 10.20 Sous Vide Convotherm4	Frontpart 10.20 Sous Vide Convotherm4	x	x			1		
A003	2163012NP	Frontteil 12.20 Sous Vide Convotherm4	Frontpart 12.20 Sous Vide Convotherm4	x	x				1	
A003	2163012NP	Frontteil 20.10 Sous Vide Convotherm4	Frontpart 20.10 Sous Vide Convotherm4	x	x					1
A003	2163013NP	Frontteil 20.20 Sous Vide Convotherm4	Frontpart 20.20 Sous Vide Convotherm4	x	x					1
A005	2161833NP	Decke Elektro 6.10 / 10.10 Rechtsanschlag Convotherm4	Top cover electric 6.10 / 10.10 right hinged Convotherm4	x	x	1	1			
A005	2161834NP	Decke Elektro 6.20 / 10.20 Rechtsanschlag Convotherm4	Cover electric 6.20 / 10.20 right hinged Convotherm4	x	x	1	1	1		
A005	2161836NP	Decke Elektro 20.10 Rechtsanschlag Convotherm4	Cover electric 20.10 right hinged Convotherm4	x	x					1
A005	2161835NP	Decke Elektro 12.20 / 20.20 Rechtsanschlag Convotherm4	Cover electric 12.20 / 20.20 right hinged Convotherm4	x	x				1	1
A005	2161863NP	Decke Elektro 6.10 / 10.10 Verschwindetüre Convotherm4	Cover electric 6.10 / 10.10 disappearing door Convotherm4	x	x	1	1			
A005	2161866NP	Decke Elektro 6.20 / 10.20 Verschwindetüre Convotherm4	Cover electric 6.20 / 10.20 disappearing door Convotherm4	x	x	1	1	1		
A005	2161868NP	Decke Elektro 20.10 Verschwindetüre Convotherm4	Cover electric 20.10 disappearing door Convotherm4	x	x					1
A005	2161867NP	Decke Elektro 12.20 / 20.20 Verschwindetüre Con4	Cover electric 12.20 / 20.20 disappearing door Con4	x	x				1	1
A005	2161842NP	Decke Gas Spritzer 6.10 / 10.10 Rechtsanschlag Convotherm4	Cover gas sprayer 6.10 / 10.10 right hinged Convotherm4	x	x	1	1			
A005	2161879NP	Decke Gas Spritzer 6.20 / 10.20 Rechtsanschlag Convotherm4	Cover gas sprayer 6.20 / 10.20 right hinged Convotherm4	x	x	1	1	1		
A005	2161880NP	Decke Gas Spritzer 12.20 Rechtsanschlag Convotherm4	Cover gas sprayer 12.20 right hinged Convotherm4	x	x				1	
A005	2161881NP	Decke Gas Spritzer 20.10 Rechtsanschlag Convotherm4	Cover gas sprayer 20.10 right hinged Convotherm4	x	x					1
A005	2161882NP	Decke Gas Spritzer 20.20 Rechtsanschlag Convotherm4	Cover gas sprayer 20.20 right hinged Convotherm4	x	x					1
A005	2161874NP	Decke Gas Spritzer 6.10 / 10.10 Verschwindetüre Convotherm4	Cover gas sprayer 6.10 / 10.10 disapp. door Convotherm4	x	x	1	1			
A005	2161875NP	Decke Gas Spritzer 6.20 / 10.20 Verschwindetüre Convotherm4	Cover gas sprayer 6.20 / 10.20 disapp. door Convotherm4	x	x	1	1	1		
A005	2161876NP	Decke Gas Spritzer 12.20 Verschwindetüre Convotherm4	Cover gas sprayer 12.20 disappearing door Convotherm4	x	x				1	
A005	2161877NP	Decke Gas Spritzer 20.10 Verschwindetüre Convotherm4	Cover gas sprayer 20.10 disappearing door Convotherm4	x	x					1
A005	2161878NP	Decke Gas Spritzer 20.20 Verschwindetüre Convotherm4	Cover gas sprayer 20.20 disappearing door Convotherm4	x	x					1
A005	2161837NP	Decke Gas Boiler 6.10 / 10.10 Rechtsanschlag Convotherm4	Cover gas boiler 6.10 / 10.10 right hinged Convotherm4	x	x	1	1			
A005	2161838NP	Decke Gas Boiler 6.20 / 10.20 Rechtsanschlag Convotherm4	Cover gas boiler 6.20 / 10.20 right hinged Convotherm4	x	x	1	1	1		
A005	2161839NP	Decke Gas Boiler 12.20 Rechtsanschlag Convotherm4	Cover gas boiler 12.20 right hinged Convotherm4	x	x				1	
A005	2161840NP	Decke Gas Boiler 20.10 Rechtsanschlag Convotherm4	Cover gas boiler 20.10 right hinged Convotherm4	x	x					1
A005	2161841NP	Decke Gas Boiler 20.20 Rechtsanschlag Convotherm4	Cover gas boiler 20.20 right hinged Convotherm4	x	x					1
A005	2161869NP	Decke Gas Boiler 6.10 / 10.10 Verschwindetüre Convotherm4	Cover gas boiler 6.10 / 10.10 disapp. door Convotherm4	x	x	1	1			
A005	2161870NP	Decke Gas Boiler 6.20 / 10.20 Verschwindetüre Convotherm4	Cover gas boiler 6.20 / 10.20 disapp. door Convotherm4	x	x	1	1	1		
A005	2161871NP	Decke Gas Boiler 12.20 Verschwindetüre Convotherm4	Cover gas boiler 12.20 disappearing door Convotherm4	x	x				1	
A005	2161872NP	Decke Gas Boiler 20.10 Verschwindetüre Convotherm4	Cover gas boiler 20.10 disappearing door Convotherm4	x	x					1
A005	2161873NP	Decke Gas Boiler 20.20 Verschwindetüre Convotherm4	Cover gas boiler 20.20 disappearing door Convotherm4	x	x					1
A006	2161823NP	Abdeckung Abwasserbox für Tischgeräte Convotherm4	Cover Drainbox for Table Top Model Convotherm4	x	x	1	1	1	1	
A006	2161825NP	Abdeckung Abwasserbox 20.10 Convotherm4	Cover Drainbox 20.10 Convotherm4	x	x					1
A006	2161902NP	Abdeckung Abwasserbox 12.20/20.20 Convotherm4	Cover Drainbox 12.20 20.20 Convotherm4	x	x					1
A007	5056314	Halogenlampe G4 10W Convotherm4	Halogen lamp G4 10W Convotherm4	x	x	1	1	1	1	2
A008	5056317	Garraumlampenrahmen inkl. Glas Convotherm4	Cooking chamber light frame incl. glass Convotherm4	x	x	1	1	1	1	2
A009	7056338	Türdichtung 6.10 Convotherm4	Door gasket 6.10 Convotherm4	x	x	1				
A009	7056339	Türdichtung 6.20 Convotherm4	Door gasket 6.20 Convotherm4	x	x	1				
A009	7056340	Türdichtung 10.10 Convotherm4	Door gasket 10.10 Convotherm4	x	x		1			
A009	7056341	Türdichtung 10.20 Convotherm4	Door gasket 10.20 Convotherm4	x	x			1		
A009	7056342	Türdichtung 12.20 Convotherm4	Door gasket 12.20 Convotherm4	x	x				1	
A009	7056343	Türdichtung 20.10 Convotherm4	Door gasket 20.10 Convotherm4	x	x					1
A009	7056344	Türdichtung 20.20 Convotherm4	Door gasket 20.20 Convotherm4	x	x					1
A010	2251352NP	Ansaugblech Elektro Spritzer 6.10 Convotherm4	Suction Panel Electric Sprayer 6.10 Convotherm4	x	x	1				
A010	2251353NP	Ansaugblech Elektro Boiler 6.10 Convotherm4	Suction Panel Electric Boiler 6.10 Convotherm4	x	x	1				
A010	2251363NP	Ansaugblech Elektro Spritzer 6.20 Convotherm4	Suction Panel Electric Sprayer 6.20 Convotherm4	x	x		1			
A010	2251362NP	Ansaugblech Elektro Boiler 6.20 Convotherm4	Suction Panel Electric Boiler 6.20 Convotherm4	x	x			1		
A010	2251373NP	Ansaugblech Elektro Spritzer 10.10 Convotherm4	Suction Panel Electric Sprayer 10.10 Convotherm4	x	x			1		
A010	2251372NP	Ansaugblech Elektro Boiler 10.10 Convotherm4	Suction Panel Electric Boiler 10.10 Convotherm4	x	x				1	
A010	2251383NP	Ansaugblech Elektro Spritzer 10.20 Convotherm4	Suction Panel Electric Sprayer 10.20 Convotherm4	x	x			1		
A010	2251382NP	Ansaugblech Elektro Boiler 10.20 Convotherm4	Suction Panel Electric Boiler 10.20 Convotherm4	x	x				1	
A010	2251393NP	Ansaugblech Elektro Spritzer 12.20 Convotherm4	Suction Panel Electric Sprayer 12.20 Convotherm4	x	x					1
A010	2251392NP	Ansaugblech Elektro Boiler 12.20 Convotherm4	Suction Panel Electric Boiler 12.20 Convotherm4	x	x					1
A010	2251403NP	Ansaugblech Elektro Spritzer 20.10 Convotherm4	Suction Panel Electric Sprayer 20.10 Convotherm4	x	x					1
A010	2251402NP	Ansaugblech Elektro Boiler 20.10 Convotherm4	Suction Panel Electric Boiler 20.10 Convotherm4	x	x					1
A010	2251413NP	Ansaugblech Elektro Spritzer 20.20 Convotherm4	Suction Panel Electric Sprayer 20.20 Convotherm4	x	x					1
A010	2251412NP	Ansaugblech Elektro Boiler 20.20 Convotherm4	Suction Panel Electric Boiler 20.20 Convotherm4	x	x					1
A010	2251351NP	Ansaugblech Gas Spritzer 6.10 Convotherm4	Suction Panel Gas Sprayer 6.10 Convotherm4	x	x	1				
A010	2251350NP	Ansaugblech Gas Boiler 6.10 Convotherm4	Suction Panel Gas Boiler 6.10 Convotherm4	x	x	1				
A010	2251361NP	Ansaugblech Gas Spritzer 6.20 Convotherm4	Suction Panel Gas Sprayer 6.20 Convotherm4	x	x		1			
A010	2251360NP	Ansaugblech Gas Boiler 6.20 Convotherm4	Suction Panel Gas Boiler 6.20 Convotherm4	x	x			1		
A010	2251371NP	Ansaugblech Gas Spritzer 10.10 Convotherm4	Suction Panel Gas Sprayer 10.10 Convotherm4	x	x			1		
A010	2251370NP	Ansaugblech Gas Boiler 10.10 Convotherm4	Suction Panel Gas Boiler 10.10 Convotherm4	x	x				1	
A010	2251381NP	Ansaugblech Gas Spritzer 10.20 Convotherm4	Suction Panel Gas Sprayer 10.20 Convotherm4	x	x				1	
A010	2251380NP	Ansaugblech Gas Boiler 10.20 Convotherm4	Suction Panel Gas Boiler 10.20 Convotherm4	x	x				1	
A010	2251391NP	Ansaugblech Gas Spritzer 12.20 Convotherm4	Suction Panel Gas Sprayer 12.20 Convotherm4	x	x					1
A010	2251390NP	Ansaugblech Gas Boiler 12.20 Convotherm4	Suction Panel Gas Boiler 12.20 Convotherm4	x	x					1
A010	2251401NP	Ansaugblech Gas Spritzer 20.10 Convotherm4	Suction Panel Gas Sprayer 20.10 Convotherm4	x	x					1
A010	2251400NP	Ansaugblech Gas Boiler 20.10 Convotherm4	Suction Panel Gas Boiler 20.10 Convotherm4	x	x					1
A010	2251411NP	Ansaugblech Gas Spritzer 20.20 Convotherm4	Suction Panel Gas Sprayer 20.20 Convotherm4	x	x					1
A010	2251410NP	Ansaugblech Gas Boiler 20.20 Convotherm4	Suction Panel Gas Boiler 20.20 Convotherm4	x	x					1
A011	2251301	Einhängegestell links 6.10 GN Convotherm4	Shelf Rack left 6.10 GN Convotherm4	x	x	1				
A011	2251303	Einhängegestell links 6.20 GN Convotherm4	Shelf Rack left 6.20 GN Convotherm4	x	x	1				
A011	2251305	Einhängegestell links 10.10 GN Convotherm4	Shelf Rack left 10.10 GN Convotherm4	x	x		1			
A011	2251307	Einhängegestell links 10.20 GN Convotherm4	Shelf Rack left 10.20 GN Convotherm4	x	x			1		
A011	2255010	Bäcker Einhänggestell links 6.10 BG Convotherm4	Baker Rack left 6.10 BG Convotherm4	x	x	1				
A011	2255012	Bäcker Einhänggestell links 6.20 BG Convotherm4	Baker Rack left 6.20 BG Convotherm4	x	x	1				
A011	2255014	Bäcker Einhänggestell links 10.10 BG Convotherm4	Baker Rack left 10.10 BG Convotherm4	x	x			1		
A011	2255016	Bäcker Einhänggestell links 10.20 BG Convotherm4	Baker Rack left 10.20 BG Convotherm4	x	x				1	



#	ET-Nr. Part No	Beschreibung	Description	Elektro							
					6.10	6.20	10.10	10.20	12.20	20.10	
A011	2251327	Einhängegestell links 6.10 Marine GN Convotherm4	Marineelf Rack left 6.10 Marine GN Convotherm4	x	1						
A011	2251328	Einhängegestell links 6.20 Marine GN Convotherm4	Marineelf Rack left 6.20 Marine GN Convotherm4	x		1					
A011	2251329	Einhängegestell links 10.10 Marine GN Convotherm4	Marineelf Rack left 10.10 Marine GN Convotherm4	x			1				
A011	2251330	Einhängegestell links 10.20 Marine GN Convotherm4	Marineelf Rack left 10.20 Marine GN Convotherm4	x				1			
A011	2255059	Bäcker Einhängestell links 6.10 BG Marine Convotherm4	Baker Rack left 6.10 BG Marine Convotherm4	x	1						
A011	2255060	Bäcker Einhängestell links 6.20 BG Marine Convotherm4	Baker Rack left 6.20 BG Marine Convotherm4	x		1					
A011	2255061	Bäcker Einhängestell links 10.10 BG Marine Convotherm4	Baker Rack left 10.10 BG Marine Convotherm4	x			1				
A011	2255062	Bäcker Einhängestell links 10.20 BG Marine Convotherm4	Baker Rack left 10.20 BG Marine Convotherm4	x				1			
A012	3310394	Griff für Beschickungswagen 12.20/20.20 Convotherm4	Handle for Trolley 12.20/20.20 Convotherm4	x	x				1		1
A012	3315244	Griff für Beschickungswagen 20.10 Convotherm4	Handle for Trolley 20.10 Convotherm4	x	x					1	1
A012	2251302	Einhängegestell rechts 6.10 GN Convotherm4	Shelf Rack right 6.10 GN Convotherm4	x	x	1					
A012	2251304	Einhängegestell rechts 6.20 GN Convotherm4	Shelf Rack right 6.20 GN Convotherm4	x	x		1				
A012	2251306	Einhängegestell rechts 10.10 GN Convotherm4	Shelf Rack right 10.10 GN Convotherm4	x	x			1			
A012	2251308	Einhängegestell rechts 10.20 GN Convotherm4	Shelf Rack right 10.20 GN Convotherm4	x	x				1		
A012	2255011	Bäcker Einhängestell rechts 6.10 BG Convotherm4	Baker Rack right 6.10 BG Convotherm4	x	x	1					
A012	2255013	Bäcker Einhängestell rechts 6.20 BG Convotherm4	Baker Rack right 6.20 BG Convotherm4	x	x		1				
A012	2255015	Bäcker Einhängestell rechts 10.10 BG Convotherm4	Baker Rack right 10.10 BG Convotherm4	x	x			1			
A012	2255017	Bäcker Einhängestell rechts 10.20 BG Convotherm4	Baker Rack right 10.20 BG Convotherm4	x	x				1		
A013	5056325	4-Punkt Kerntemperaturfühler 3.0m Convotherm4	4-Point core temperature probe 3.0m Convotherm4	x	x	1	1	1	1	1	1
A015	2009047	Haltebuegel für KTM-Fühlerleitung Convotherm4	Mount for cable core temperature probe Convotherm4	x	x	1	1	1	1	1	1
A016	6064285	Ansaugrohr Entfeuchtung 6.10/6.20 Convotherm4	Suction Pipe Dehumidification 6.10/6.20 Convotherm4	x	x	1	1				
A016	6064286	Ansaugrohr Entfeuchtung 12.20 Convotherm4	Suction Pipe Dehumidification 12.20 Convotherm4	x	x				1		
A016	6064287	Ansaugrohr Entfeuchtung 10.10/10.20/20.10/20.20 Convotherm4	Suction Pipe Dehumidification 10.10/10.20/20.10/20.20 Convotherm4	x	x			1	1	1	1
A017	2161847	Abdeckung Zuluftkasten inkl. Lüfter Convotherm4	Cover Airbox incl. fan Convotherm4	x	x	1	1	1	1	1	1
A018	5056318	Zusatzlüfter P3 Convotherm4	Extra fan P3 Convotherm4	x	x	1	1	1	1	2	2
A018	2118786	Lüfter Sunon 92x92mm Convotherm4	Fan Sunon 92x92mm Convotherm4	x	x	2	2	2	2		
A019	6064289	Gerätefuß einstellbar Tischgerät Marine 150x50x100 Convotherm4	Adjustable foot table top model Marine 150x50x100 Convotherm4	x	x	4	4	4	4		
A019	6056353	Gerätefuß einstellbar Tischgerät 150x50x100 Convotherm4	Adjustable foot table top model 150x50x100 Convotherm4	x	x	4	4	4	4		
A019	6064137	Gerätefuß Standgeräte 50x50 Convotherm4	Adjustable foot for Floor Models 50x50 Convotherm4 150x50x100 P4	x	x				4	4	4
A019	6051061	Einschlagstellfuß 50x50 Marine Flansch Ø89 Convotherm4	Punch in foot 50x50 Marine flange Ø89 Convotherm4	x	x				4	4	4
A019	6064137	Einschlagstellfuß 50x50 vierkant Con4	Adjustable punch in foot 50x50 square Con4	x	x	4	4	4	4		
A019	3264851	Einschlagstellfuß 40x40 für Untergestell Convotherm4	Adjustable foot 40x40 for stand Convotherm4	x	x	1	1	1			
A022	6014052	Lenkrolle 125x32mm mit Kipphebel u Totalstopp P3 Convotherm4	Guide roller 125x32 mm with rocker arm and total stop P3 Convotherm4	x	x				2	2	2
A023	6014050	Lenkrolle 125x32mm ohne Kipphebel u Totalstopp P3 Convotherm4	Swivel caster 125x32 mm without rocker arm and total stop P3 Convotherm4	x	x				2	2	2
A024	3015000	Sammelwanne Kunststoff 20.10 P3 Convotherm4	Collector tray for trolley plastic 20.10 P3 Convotherm4	x	x				2	1	
A025	2004234	Einfahrkeil für Beschickungswagen P3 Convotherm4	Slide-in retainer key for loading cart P3 Convotherm4	x	x				2	2	2
A031	6056349	O-Ring Boiler Convotherm4	O-Ring Boiler Convotherm4	x	x	1	1	1	1	1	1
A031	6056496	Membrantülle 50mm für Außendecke Convotherm4	Grommet 50mm for Top Cover Convotherm4	x	x	2	2	2	3	3	3
A035	5056315	Garraumlampe Fassung G4 Convotherm4	Cooking chamber light socket Convotherm4	x	x	1	1	1	1	2	2
A037	2151045NP	Blende unten 6.10/10.10 Convotherm4	Orifice bottom 6.10 / 10.10 Convotherm4	x	x	1	1				
A037	2151046NP	Blende unten 6.20/10.20 Convotherm4	Orifice bottom 6.20 / 10.20 Convotherm4	x	x		1	1			
A037	2151048NP	Blende unten 20.10 Convotherm4	Orifice bottom 20.10 Convotherm4	x	x				1		
A037	2151047NP	Blende unten 12.20/20.20 Convotherm4	Orifice bottom 12.20 / 20.20 Convotherm4	x	x				1	1	
A038	2056497	Klotz für Beschickungswagen Convotherm4 (Nachrüst. P3)	Block for trolley Convotherm4 (retrofit P3)	x	x				1	1	1
A039	5064010	Sousvide Fühler 1-Punkt 1.1m Convotherm4	Sousvide probe 1-Point 1.1m Convotherm4	x	x	1	1	1	1	1	1
A039	5064012	1-Punkt externer Kerntemperaturfühler 1.1m Convotherm4	1-Point external core temperature probe 1.1m Convotherm4	x	x	1	1	1	1	1	1
A040	5064011	Kupplung Leitung Sousvide Fühler Convotherm4	Plug Socket Wire Sousvide Probe Convotherm4	x	x	1	1	1	1	1	1
A041	2164201	Einfahrtschiene rechts x 20 Convotherm4	Rails right x 20 Convotherm4	x	x				1	1	1
A041	2164202	Einfahrtschiene rechts 20.10 Convotherm4	Rails right 20.10 Convotherm4	x	x					1	
A042	2161988	Pumpenabdeckung 6.10/10.10 Convotherm4	Cover Pumps 6.10/10.10 Convotherm4	x	x	1	1				
A042	2161989	Pumpenabdeckung 6.20/10.20 Convotherm4	Cover Pumps 6.20/10.20 Convotherm4	x	x		1	1			
A042	2161990	Pumpenabdeckung 12.20/20.10/20.20 Convotherm4	Cover Pumps 12.20/20.10/20.20 Convotherm4	x	x			1	1		
A042	2161990	Pumpenabdeckung 12.20/20.10/20.20 Convotherm4	Cover Pumps 12.20/20.10/20.20 Convotherm4	x	x	1		1			
A042	2161812NP	Pumpenabdeckung 6.10/10.10 Convotherm4	Pump cover 6.10/10.10 Convotherm4	x	x	1		1			
A042	2161894NP	Pumpenabdeckung 6.20/10.20 Convotherm4	Pump cover 6.20/10.20 Convotherm4	x	x		1	1			
A042	2161819NP	Pumpenabdeckung 12.20/20.10/20.20 Convotherm4	Pump cover 12.20/20.10/20.20 Convotherm4	x	x				1	1	1
A043	5051999	KTM-Halter 12.20/20.10/20.20 Convotherm4	core temperature probe holder 12.20/20.10/20.20 Convotherm4	x	x				1	1	1
A044	2556345	Gerätetropfwanne 6.10/10.10 Convotherm4	Drip tray 6.10/10.10 Convotherm4	x	x	1		1			
A044	2556346	Gerätetropfwanne 6.20/10.20 Convotherm4	Drip tray 6.20/10.20 Convotherm4	x	x		1	1			
A045	5056941	Smoker-Heizung 240V 280W CE, UL Con4	Smoker Heating element 240V 280W CE, UL Con4	x	x	1	1	1	1		
A045	5056942	Smoker-Heizung 208V 280W UL Con4	Smoker Heating element 208V 280W UL Con4	x	x	1	1	1	1		
A046	2064039	Ablaufsieb Garraum Convotherm4	Drain sieve innerchamber Convotherm4	x	x	1	1	1	1	1	1
A047	6056943	Bef. Set Smoker Heizelement Con4	Mount. set Smoker heatingelement Con4	x	x	1	1	1	1		
A048	2664268	Gegenflansch Smoker Heizelement Con4	counterflange smoker heatingelement Con4	x	x	1	1	1	1		
A049	2161937NP	Seitenteil rechts 6.10 Rechtsanschlag Convotherm4	Side cover right 6.10 right hinged Convotherm4	x	x	1					
A049	2161910NP	Seitenteil rechts 6.20 Rechtsanschlag Convotherm4	Side cover right 6.20 right hinged Convotherm4	x	x		1				
A049	2161801NP	Seitenteil rechts 10.10 Rechtsanschlag Convotherm4	Side cover right 10.10 right hinged Convotherm4	x	x			1			
A049	2161938NP	Seitenteil rechts 10.20 Rechtsanschlag Convotherm4	Side cover right 10.20 right hinged Convotherm4	x	x				1		
A049	2161942NP	Seitenteil rechts 12.20 Rechtsanschlag Convotherm4	Side cover right 12.20 right hinged Convotherm4	x	x				1		
A049	2161941NP	Seitenteil rechts 20.10 Rechtsanschlag Convotherm4	Side cover right 20.10 right hinged Convotherm4	x	x					1	
A049	2161939NP	Seitenteil rechts 20.20 Rechtsanschlag Convotherm4	Side cover right 20.20 right hinged Convotherm4	x	x						1
A049	2161918NP	Seitenteil rechts 6.10 Verschwindetüre Convotherm4	Side cover right 6.10 disappearing door Convotherm4	x	x	1					
A049	2161916NP	Seitenteil rechts 6.20 Verschwindetüre Convotherm4	Side cover right 6.20 disappearing door Convotherm4	x	x		1				
A049	2161914NP	Seitenteil rechts 10.10 Verschwindetüre Convotherm4	Side cover right 10.10 disappearing door Convotherm4	x	x			1			
A049	2161920NP	Seitenteil rechts 10.20 Verschwindetüre Convotherm4	Side cover right 10.20 disappearing door Convotherm4	x	x				1		
A049	2161926NP	Seitenteil rechts 12.20 Verschwindetüre Convotherm4	Side cover right 12.20 disappearing door Convotherm4	x	x					1	
A049	2161924NP	Seitenteil rechts 20.10 Verschwindetüre Convotherm4	Side cover right 20.10 disappearing door Convotherm4	x	x						1
A049	2161922NP	Seitenteil rechts 20.20 Verschwindetüre Convotherm4	Side cover right 20.20 disappearing door Convotherm4	x	x						1
A049	2161848NP	Seitenteil rechts 6.10 Verschwindetüre Marine Convotherm4	Side cover right 6.10 disappearing door Marine Convotherm4	x	x	1					
A049	2161857NP	Seitenteil rechts 6.20 Verschwindetüre Marine Convotherm4	Side cover right 6.20 disappearing door Marine Convotherm4	x	x		1				
A049	2161858NP	Seitenteil rechts 10.10 Verschwindetüre Marine Convotherm4	Side cover right 10.10 disappearing door Marine Convotherm4	x	x			1			
A049	2161859NP	Seitenteil rechts 10.20 Verschwindetüre Marine Convotherm4	Side cover right 10.20 disappearing door Marine Convotherm4	x	x				1		
A049	2161860NP	Seitenteil rechts 12.20 Verschwindetüre Marine Convotherm4	Side cover right 12.20 disappearing door Marine Convotherm4	x	x					1	
A049	2161861NP	Seitenteil rechts 20.10 Verschwindetüre Marine Convotherm4	Side cover right 20.10 disappearing door Marine Convotherm4	x	x						1
A049	2161862NP	Seitenteil rechts 20.20 Verschwindetüre Marine Convotherm4	Side cover right 20.20 disappearing door Marine Convotherm4	x	x						1
A050	6056326	Entfeuchtungsklappe inkl. Dichtung Convotherm4	Dehumidification flap incl. Grommet valve Convotherm4	x	x	1	1	1	1	1	1
A050	6056827	Entfeuchtungsklappe 6.10 Gas inkl. Dichtung Convotherm4	Dehumidification flap 6.10 Gas incl. Grommet valve Con4	x	x	1					
A051	6056327	Dichtungs-Set für Entfeuchtungsklappe Convotherm4	Gasket set for dehumidification flap Convotherm4	x	x	1	1	1	1	1	1
A052	5056977	RC-Filter 0.15µF 120 Ohm Entfeuchtungsklappe Convotherm4	RC-Filter 0.15µF 120 Ohm Dehumid Flap Convotherm4	x	x	1	1	1	1	1	1
A053	5056316	Garraumlampe Flachdichtung Set 5St. Convotherm4	Cooking chamber light seal (Set 5 pcs) Convotherm4	x	x	1	1	1	1	2	2
A054	2151680NP	Klobenverstiefung 6.10/6.20 Convotherm4	Bracket reinforcement 6.10/6.20 Convotherm4	x	x	1					
A054	2151681NP	Klobenverstiefung 10.10/10.20 Convotherm4	Bracket reinforcement 10.10/10.20 Convotherm4	x	x		1				
A054	2151682NP	Klobenverstiefung 12.20 Convotherm4	Bracket reinforcement 12.20 Convotherm4	x	x				1		
A054	2151683NP	Klobenverstiefung 20.10 Convotherm4	Bracket reinforcement 20.10 Convotherm4	x	x					1	
A054	2151689NP	Klobenverstiefung 20.20 Convotherm4	Bracket reinforcement 20.20 Convotherm4	x	x						1
A055	2151051NP	Zuluftkasten für Tischgeräte Convotherm4	Airbox for Table Top Model Convotherm4	x	x	1	1	1	1		
A055	2151175NP	Zuluftkasten für Standgeräte Convotherm4	Airbox for Floor Model Convotherm4	x	x					1	1
A056	8064124	Senkschraube M4x10 A2 5 Stück Convotherm4	Flat head screw M4x10 A2 5 pc. Convotherm4	x	x	1	1	1	1	1	1
A057	6005041	Abschlussstopfen 50 x 50mm	Closing plug 50x50mm	x	x					2	2
A057	6064053	Adapter 3/4" Messing für USA Con4	Adapter G 3/4" female x 3/4-11.5 male Brass USA Con4	x	x	1	1	1	1	1	1
A058	8009022	Blechmutter 14x11mm 4,8 Convotherm4	Sheet metal nut 14x11mm 4,8 Convotherm4	x	x	2	2	2	2	2	2
A059	8051285	Sechskant-Blechschräube 4.8x32 A2 Tischgeräte Convotherm4	Hexagon head tapping screw 4.8x32 A2 tabletop models Convotherm4	x	x	2	2	2	2		
A059	8051284	Sechskant-Blechschräube 4.8x80 A2 Standgeräte Convotherm4	Hexagon head tapping screw 4.8x80 A2 floor models Convotherm4	x	x					2	2
B001	2556820	Türe 6.10 Convotherm4	Door 6.10 Convotherm4	x	x	1					

#	ET-Nr. Part No	Beschreibung	Description	Elektro											
				GWS	6.10	6.20	10.10	10.20	12.20	20.10	20.20				
B001	2556821	Türe 6.20 Convotherm4	Door 6.20 Convotherm4	x	x		1								
B001	2556822	Türe 10.10 Convotherm4	Door 10.10 Convotherm4	x	x			1							
B001	2556823	Türe 10.20 Convotherm4	Door 10.20 Convotherm4	x	x				1						
B001	2556824	Türe 12.20 Convotherm4	Door 12.20 Convotherm4	x	x						1				
B001	2556825	Türe 20.10 Convotherm4	Door 20.10 Convotherm4	x	x								1		
B001	2556826	Türe 20.20 Convotherm4	Door 20.20 Convotherm4	x	x									1	
B001	2564093	Verschwindetüre 6.10 Convotherm4	Disappearing Door 6.10 Convotherm4	x	x	1									
B001	2564094	Verschwindetüre 6.20 Convotherm4	Disappearing Door 6.20 Convotherm4	x	x		1								
B001	2564095	Verschwindetüre 10.10 Convotherm4	Disappearing Door 10.10 Convotherm4	x	x			1							
B001	2564096	Verschwindetüre 10.20 Convotherm4	Disappearing Door 10.20 Convotherm4	x	x				1						
B001	2564097	Verschwindetüre 12.20 Convotherm4	Disappearing Door 12.20 Convotherm4	x	x					1					
B001	2564098	Verschwindetüre 20.10 Convotherm4	Disappearing Door 20.10 Convotherm4	x	x						1				
B001	2564099	Verschwindetüre 20.20 Convotherm4	Disappearing Door 20.20 Convotherm4	x	x							1			
B001	2564278	Tür 20.10 Verschwindetür JVA kpl Convotherm4	Disappearing Door 20.10 JVA complete Convotherm4	x	x								1		
B001	2564279	Tür 20.20 Verschwindetür JVA kpl Convotherm4	Disappearing Door 20.20 JVA complete Convotherm4	x	x									1	
B002	2656813	Innentüre 6.10 Convotherm4	Inner door 6.10 Convotherm4	x	x	1									
B002	2656814	Innentüre 6.20/10.20 Convotherm4	Inner door 6.20/10.20 Convotherm4	x	x		1								
B002	2656815	Innentüre 10.10 Convotherm4	Inner door 10.10 Convotherm4	x	x			1							
B002	2656816	Innentüre 10.20 Convotherm4	Inner door 10.20 Convotherm4	x	x				1						
B002	2656817	Innentüre 12.20 Convotherm4	Inner door 12.20 Convotherm4	x	x					1					
B002	2656818	Innentüre 20.10 Convotherm4	Inner door 20.10 Convotherm4	x	x						1				
B002	2656819	Innentüre 20.20 Convotherm4	Inner door 20.20 Convotherm4	x	x							1			
B003	6056809	Türgriff Standgeräte Convotherm4	Door handle Floor Model Convotherm4	x	x							1	1	1	
B003	6056384	Türgriff Tischgeräte Convotherm4	Door handle Table Top Model Convotherm4	x	x	1	1	1	1						
B004	6056369	Innentür Halteklammer Set für Tischgerät Convotherm4	Innerdoor bracket Set for Table Top Model Convotherm4	x	x	2	2	2	2						
B004	6056812	Innentür Halteklammer Set für Standgerät Convotherm4	Innerdoor bracket Set for Table Floor Model Convotherm4	x	x							2	2	2	
B005	6056370	Türpuffer 4 Stück für Tischgerät Convotherm4	Door buffer Set 4 pc. for Table Top Model Convotherm4	x	x	4	4	4	4						
B005	6056811	Türpuffer 2 Stück für Standgerät Convotherm4	Door buffer 2 pc. for Floor Model Convotherm4	x	x							2	2	2	
B006	6056383	Tür-Abstandshalter für Standgerät Convotherm4	Door spacer for Floor Model Convotherm4	x	x							4	4	4	
B007	6064160	Scharnierunterteil oben Innentüre 12.20/20.10/20.20 Convotherm4	Upper bottom Hinge part inner door 12.20/20.10/20.20 Convotherm4	x	x							1	1	1	
B008	6064161	Scharnierunterteil oben Innentüre 12.20/20.10/20.20 Convotherm4	Lower bottom Hinge part inner door 12.20/20.10/20.20 Convotherm4	x	x							1	1	1	
B009	2656838	Scharnier oben für Tischgerät Rechtsanschlag Convotherm4	Hinge top for Table Top Model right hinged Convotherm4	x	x	1	1	1	1						
B009	6056840	Scharnier oben für Standgerät Rechtsanschlag Convotherm4	Hinge top for Floor Model right hinged Convotherm4	x	x						1	1	1		
B009	6056842	Scharnier oben für Tischgerät Verschwindetüre Convotherm4	Hinge top for Table Top Model disapp. door Convotherm4	x	x	1	1	1	1						
B009	6056844	Scharnier oben für Standgerät Verschwindetüre Convotherm4	Hinge top for Floor Model disappearing door Convotherm4	x	x							1	1	1	
B010	2656839	Scharnier unten für Tischgerät Rechtsanschlag Convotherm4	Hinge bottom for Table Top Model right hinged Convotherm4	x	x	1	1	1	1						
B010	6056841	Scharnier unten für Standgerät Rechtsanschlag Convotherm4	Hinge bottom for Floor Model right hinged Convotherm4	x	x							1	1	1	
B010	6056843	Scharnier unten für Tischgerät Verschwindetüre Con4	Hinge bottom for Table Top Model disapp. door Con4	x	x	1	1	1	1						
B010	6056845	Scharnier unten für Standgerät Verschwindetüre Con4	Hinge bottom for Floor Model disapp. door Con4	x	x							1	1	1	
B011	2556336	Türtropfwanne 6.20/10.20 Convotherm4	Door drip tray 6.20/10.20 Convotherm4	x	x		1			1					
B011	2556335	Türtropfwanne 6.10/10.10 Convotherm4	Door drip tray 6.10/10.10 Convotherm4	x	x	1				1					
B012	2651704	Schlittenplatte 6.x Verschwindetüre komplet Convotherm4	Carriage plate 6.x disappearing door complete Convotherm4	x	x	1	1								
B012	2651705	Schlittenplatte 10.x Verschwindetüre komplet Convotherm4	Carriage plate 10.x disappearing door complete Convotherm4	x	x			1	1						
B012	2651706	Schlittenplatte 12.20 Verschwindetüre komplet Convotherm4	Carriage plate 12.20 disappearing door complete Convotherm4	x	x						1				
B012	2651707	Schlittenplatte 20.x Verschwindetüre komplet Convotherm4	Carriage plate 20.x disappearing door complete Convotherm4	x	x							1	1	1	
B013	2161968NP	Verkleidungsblech 6.x Verschwindetüre Convotherm4	Cover panel 6.x disappearing door Convotherm4	x	x	1	1								
B013	2161971NP	Verkleidungsblech 10.x Verschwindetüre Convotherm4	Cover panel 10.x disappearing door Convotherm4	x	x			1	1						
B013	2161974NP	Verkleidungsblech 12.20 Verschwindetüre Convotherm4	Cover panel 12.20 disappearing door Convotherm4	x	x					1					
B013	2161965NP	Verkleidungsblech 20.x CNS Verschwindetüre Convotherm4	Cover panel 20.x disappearing door CNS Convotherm4	x	x							1	1	1	
B013	2161968NP	Verkleidungsblech 6.x CNS Verschwindetüre Convotherm4	Cover panel 6.x disappearing door CNS Convotherm4	x	x	1	1								
B013	2161971NP	Verkleidungsblech 10.x CNS Verschwindetüre Convotherm4	Cover panel 10.x disappearing door CNS Convotherm4	x	x				1	1					
B013	2161974NP	Verkleidungsblech 12.20 CNS Verschwindetüre Convotherm4	Cover panel 12.20 disappearing door CNS Convotherm4	x	x						1				
B013	2161965NP	Verkleidungsblech 20.x Verschwindetüre Convotherm4	Cover panel 20.x disappearing door Convotherm4	x	x							1	1	1	
B014	6064167	Rasterklotz Schlittenplatte Verschwindetüre Convotherm4	Grid block carriage plate disappearing door Convotherm4	x	x	1	1	1	1	1	1	1	1	1	1
B015	2664282	Scharnierarm oben Verschwindetüre Convotherm4	Upper hinge arm disappearing door Convotherm4	x	x	1	1	1	1	1	1	1	1	1	1
B016	2619141	Führungsrolle Verschwindetüre 30x16 P3 Convotherm4	Guide roller disappearing door 30x16 P3 Convotherm4	x	x	2	2	2	2	2	2	2	2	2	2
B017	2619156	Sicherungsklotz Verschwindetüre P3 Convotherm4	Lock block stop disappearing door P3 Convotherm4	x	x	2	2	2	2	2	2	2	2	2	2
B018	2619153	Türanschlag Verschwindetüre P3 Convotherm4	Door stop disappearing door P3 Convotherm4	x	x	2	2	2	2	2	2	2	2	2	2
B019	6064169	Stützleiste Verschwindetür komplett Convotherm4	Support bar Disappearing door complete Convotherm4	x	x	1	1	1	1	1	1	1	1	1	1
B020	2664284	Fuehrungsschiene x.20 Verschwindetüre Convotherm4	Guide rail x.20 disappearing door Convotherm4	x	x	1						1			
B020	2664170	Fuehrungsschiene x.10 Verschwindetüre Convotherm4	Guide rail x.10 disappearing door Convotherm4	x	x	1						1			
B021	2664000	Anschlagpuffer Verschwindetüre Convotherm4	Stop Buffer Disappearingdoor Convotherm4	x	x	1	1	1	1	1	1	1	1	1	1
B022	6064171	Stopper Führungsschiene Verschwindetüre Convotherm4	Stopper guidance rail disappearing door Convotherm4	x	x	1	1	1	1	1	1	1	1	1	1
B023	2664164	Führungsbügel Tischgeräte Verschwindetüre Convotherm4	Guide bracket table top models disappearing door Convotherm4	x	x	1	1	1	1						
B023	2664165	Führungsbügel Standgeräte Verschwindetüre Convotherm4	Guide bracket floor models disappearing door Convotherm4	x	x							1	1	1	1
B024	6056498	Tür-Kloben einstufig für Tischgerät Convotherm4	Door-Bracket single-stage table top model Convotherm4	x	x	1	1	1	1						
B024	6056807	Tür-Kloben zweistufig für Tischgerät Convotherm4	Door-Bracket double-stage table top model Convotherm4	x	x	1	1	1	1						
B024	6056499	Tür-Kloben zweistufig für Standgerät Convotherm4	Door-Bracket double-stage Floor model Convotherm4	x	x							1	1	1	1
B024	6064283	Tür-Kloben zweistufig für Tischgerät Convotherm4	Door-Bracket double-stage table top model Convotherm4	x	x	1	1	1	1						
B025	5056328	Türkontaktschalter Convotherm4	Door contact switch Convotherm4	x	x	1	1	1	1	1	1	1	1	1	1
B026	2664040	Stützprofil Querdichtung Tür 12.20/20.20 Convotherm4	Support profile cross gasket door 12.20/20.20 Convotherm4	x	x							1	1	1	1
B026	2664041	Stützprofil Querdichtung Tür 20.10 Convotherm4	Support profile cross gasket door 20.10 Convotherm4	x	x							1	1	1	1
B027	7056805	Querdichtung 12.20/20.20 Convotherm4	Crosswise door gasket 12.20/20.20 Convotherm4	x	x							1	1	1	1
B027	7056806	Querdichtung 20.10 Convotherm4	Crosswise door gasket 20.10 Convotherm4	x	x								1	1	1
B028	6064162	Gegenhalter Tür Standgeräte	Backstop door floor models Convotherm4	x	x							1	1	1	1
B031	6030647	Doppelkugelschnapper groß Verschwindetüre Marine P3 Convotherm4	Double ball catch large stop disappearing door Marine P3 Convotherm4	x	x	1	1	1	1	1	1	1	1	1	1
B033	6056808	Stützklötz für Tischgerät Convotherm4	Support block for table top model Convotherm4	x	x	1	1	1	1						
B033	6056810	Abdeckung Stützklötz für Tür Standgeräte Convotherm4	Cover support block for door Floor Model Convotherm4	x	x							1	1	1	1
B035	2664168	Scharnierarm unten Verschwindetüre Convotherm4	Lower hinge arm disappearing door Convotherm4	x	x	1	1	1	1	1	1	1	1	1	1
B036	6064042	Aufkleber "C" rot Convotherm4	Label "C" red Convotherm4	x	x	1	1	1	1	1	1	1	1	1	1
B037	2656836	Dichtplatte Vorheizbrücke 20.10 Convotherm4	Sealing panel preheat bridge 20.10 Convotherm4	x	x							1			
B037	2656837	Dichtplatte Vorheizbrücke 12.20/20.20 Convotherm4	Sealing panel preheat bridge 12.20/20.20 Convotherm4	x	x							1			
B038	6064182	Türfeststeller V2A; Ø15mm, L=390 - 590 mm Convotherm4	Retracting arm for door V2A Ø15mm, L=390 - 590 mm Convotherm4	x	x	1	1	1	1	1	1	1	1	1	1
B039	2564271	Tür 6.10 Rechtsanschlag Marine kpl Convotherm4	Door 6.10 Right hand Marine cpl Convotherm4	x		1									
B039	2564272	Tür 6.20 Rechtsanschlag Marine kpl Convotherm4	Door 6.20 Right hand Marine cpl Convotherm4	x			1								
B039	2564273	Tür 10.10 Rechtsanschlag Marine kpl Convotherm4	Door 10.10 Right hand Marine cpl Convotherm4	x				1							
B039	2564274	Tür 10.20 Rechtsanschlag Marine kpl Convotherm4	Door 10.20 Right hand Marine cpl Convotherm4	x					1						
B039	2564275	Tür 12.20 Rechtsanschlag Marine kpl Convotherm4	Door 12.20 Right hand Marine cpl Convotherm4	x						1					
B039	2564276	Tür 20.10 Rechtsanschlag Marine kpl Convotherm4	Door 20.10 Right hand Marine cpl Convotherm4	x								1			
B039	2564277	Tür 20.20 Rechtsanschlag Marine kpl Convotherm4	Door 20.20 Right hand Marine cpl Convotherm4	x									1		
B040	2656828	Vorheizbrücke 20.10 Convotherm4	Preheat bridge 20.10 Convotherm4	x	x								1		
B040	2656829	Vorheizbrücke 12.20/20.20 Convotherm4	Preheat bridge 12.20/20.20 Convotherm4	x	x								1		
B041	2664179	Halteblech Türkontaktschalter Tischgeräte Convotherm4	Base plate door contact switch table top Convotherm4	x	x	1	1	1	1						
B041	2664163	Montageblech Türkontaktschalter Convotherm4	Door switch mounting plate Convotherm4	x	x	1	1	1	1			1	1	1	1
B042	2556368	Reparatur-Set Türtropfwanne Verschlussklappe Convotherm4	Fixing set for door drip tray baffle Convotherm4	x	x	1	1	1	1						
B043	2525072	Türraster Verschwindetüre Marine P3 Convotherm4	Door striker stop disappearing door Marine P3 Convotherm4	x	x	1	1	1	1	1	1	1	1	1	1
C001	5056356	SIB Steuerplatine Convotherm4	SIB Control board Convotherm4	x	x	1	1	1	1	1	1	1	1	1	1
C001	6064038	SIB Steuerplatine beschichtet (Option) Convotherm4	SIB Control board coated (option) Convotherm4	x	x	1	1	1	1	1	1	1	1	1	1
C006	5056385	Netzteil 12V 60W Convotherm4	Power Supply 12V 60W Convotherm4	x	x	1	1	1	1						
C006	5056385	Netzteil 12V 60W Convotherm4	Power Supply 12V												



#	ET-Nr. Part No	Beschreibung	Description	Elektro	Gas	6.10	6.20	10.10	10.20	12.20	20.10	20.20
C007	5056366	easyTouch Bedienteil Convotherm4	easyTouch User Interface UI Convotherm4	x	x	1	1	1	1	1	1	1
C015	5056362	Schalter AN/AUS inkl Kabel für Steuerung Convotherm4	Switch ON/OFF incl cable for control Convotherm4	x	x	1	1	1	1	1	1	1
C018	5056949	Lautsprecher m Kabel und Verbindung EasyTouch Convotherm4	Speaker w. Cable and Connector EasyTouch Convotherm4	x	x	1	1	1	1	1	1	1
C020	5056361	USB Anschluss inkl Kabel für Steuerung Convotherm4	USB connection incl cable for control Convotherm4	x	x	1	1	1	1	1	1	1
C022	5056357	Datenkabel 1m zum SIB Convotherm4	Data cable 1m to SIB Convotherm4	x	x	1	1	1	1	1	1	1
C031	2664291	Datenkabel easyDial zu Kommunikationsmodul Convotherm4	Serial data cable easyDial to communication module Convotherm4	x	x	1	1	1	1	1	1	1
C032	2664290	Netzwerk Kommunikationsmodul Convotherm4	Ethernet Communication Module Convotherm4	x	x	1	1	1	1	1	1	1
C033	8001021	Linsenschraube M4x6	Fillister head screw M4x6	x	x	2	2	2	2	2	2	2
C034	8001031	Linsenschraube M5x10	Fillister head screw M5x10	x	x	1	1	1	1	1	1	1
C035	8056358	SIB Befestigungs-Set Convotherm4	SIB mounting set Convotherm4	x	x	1	1	1	1	1	1	1
C036	2664288	Servicehaken User Interface Convotherm4	Service Hook User Interface Convotherm4	x	x	1	1	1	1	1	1	1
C037	5056363	Gehäuse easyDial easyTouch Rückwand Convotherm4	Casing easyDial easyTouch back part Convotherm4	x	x	1	1	1	1	1	1	1
C038	5064292	Kabel AN/AUS Schalter P4 Convotherm4	Cabel ON/OFF Switch Convotherm 4	x	x	1	1	1	1	1	1	1
C039	5064152	Abdeckung USB Anschluss für Steuerung Convotherm4	Cover USB connection for control Convotherm4	x	x	1	1	1	1	1	1	1
C040	5056359	Drehgeber mit Kabel easyDial Convotherm4	Encoder with cable easyDial Convotherm4	x	x	1	1	1	1	1	1	1
C041	5056360	Drehknopf easyDial Convotherm4	Control knob easyDial Convotherm4	x	x	1	1	1	1	1	1	1
C042	5056365	Gehäuse easyDial Convotherm4	Casing easyDial Convotherm4	x	x	1	1	1	1	1	1	1
C042	5056364	Gehäuse easyTouch Frontteil Convotherm4	Casing easyTouch front part Convotherm4	x	x	1	1	1	1	1	1	1
C043	4056002	Personal Module PM Convotherm4	Personal Module PM Convotherm4	x	x	1	1	1	1	1	1	1
D001	2356923	Boiler Elektro 6.10 Convotherm4	Boiler Electric 6.10 Convotherm4	x		1						
D001	2356924	Boiler Elektro 6.20 Convotherm4	Boiler Electric 6.20 Convotherm4	x		1						
D001	2356925	Boiler Elektro 10.10 Convotherm4	Boiler Electric 10.10 Convotherm4	x			1					
D001	2356926	Boiler Elektro 10.20 Convotherm4	Boiler Electric 10.20 Convotherm4	x				1				
D001	2356927	Boiler Elektro 12.20 Convotherm4	Boiler Electric 12.20 Convotherm4	x					1			
D001	2356928	Boiler Elektro 20.10 Convotherm4	Boiler Electric 20.10 Convotherm4	x						1		
D001	2356929	Boiler Elektro 20.20 Convotherm4	Boiler Electric 20.20 Convotherm4	x							1	
D001	2064055	Boiler Gas 6.10/10.10 CE Convotherm4	Gas boiler 6.10/10.10 CE Convotherm4	x		1		1				
D001	2064056	Boiler Gas 6.20 CE Convotherm4	Gas boiler 6.20 CE Convotherm4	x			1					
D001	2064057	Boiler Gas 10.20/12.20/20.10/20.20 CE Convotherm4	Gas boiler 10.20/12.20/20.10/20.20 CE Convotherm4	x				1	1	1	1	1
D001	2064255	Boiler Gas 6.10/10.10 UL Convotherm4	Gas boiler 6.10/10.10 UL Convotherm4	x		1		1				
D001	2064256	Boiler Gas 6.20 UL Convotherm4	Gas boiler 6.20 UL Convotherm4	x			1					
D001	2064257	Boiler Gas 10.20/12.20/20.10/20.20 UL Convotherm4	Gas boiler 10.20/12.20/20.10/20.20 UL Convotherm4	x				1	1	1	1	1
D002	6056322	Flanschdichtung für Tauchheizkörper Convotherm4	Flange seal for immersion heater Convotherm4	x		1	2	2	2	3	3	3
D003	5056320	Tauchheizkörper 9kW 230V Convotherm4	Immersion heater 9kW 230V Convotherm4	x		1	2	2		2	3	
D003	5056321	Tauchheizkörper 13.3kW 230V Convotherm4	Immersion heater 13.3kW 230V Convotherm4	x		1	2	2		2	1	3
D003	5056930	Tauchheizkörper 9kW 200V Convotherm4	Immersion heater 9kW 200V Convotherm4	x		1	2	2		2	3	
D003	5056931	Tauchheizkörper 13.3kW 200V Convotherm4	Immersion heater 13.3kW 200V Convotherm4	x				2	1			3
D003	5056932	Tauchheizkörper 9kW 277V Convotherm4	Immersion heater 9kW 277V Convotherm4	x		1	2	2		2	3	
D003	5056933	Tauchheizkörper 13.3kW 277V Convotherm4	Immersion heater 13.3kW 277V Convotherm4	x				2	1			3
D005	2019700	Entleerungspumpe Boiler P3 Convotherm4	Drainage pump boiler P3 Convotherm4	x	x	1	1	1	1	1	1	1
D006	6064052	Ablaufwinkel Boiler Convotherm4	Drain Elbow Boiler Convotherm4	x	x	1	1	1	1	1	1	1
D007	5064073	Abwasserschlauch Ø22 Boiler 6.10/6.20/10.10 Con4	Boiler waste water hose Ø22 6.10/6.20/10.10 Con4	x		1	1	1				
D007	5064074	Abwasserschlauch Ø22 Boiler 10.20 bis 20.20 Con4	Boiler waste water hose Ø22 10.20 bis 20.20 Con4	x				1	1	1	1	1
D007	5064081	Abwasserschlauch Boiler Ø22 6.10/6.20Elektro Con4	Waste water hose Boiler Ø22 6.10/6.20Electric Con4	x		1	1					
D007	5064082	Abwasserschlauch Boiler Ø22 10.10/10.20Elektro Con4	Waste water hose Boiler Ø22 10.10/10.20Electric Con4	x				1	1			
D007	5064083	Abwasserschlauch Boiler Ø22 12.20 bis 20.20Elektro Con4	Waste water hose Boiler Ø22 12.20 to 20.20Electric Con4	x					1	1	1	1
D008	6016500	Rücksaugversicherung für Boiler Convotherm4	Back flow preventer for Boiler Convotherm4	x	x	1		1	1	1	1	1
D008	6056934	Rücksaugversicherung für Boiler kpl. Convotherm4	Back flow preventer for Boiler kpl Convotherm4	x	x	1	1	1	1	1	1	1
D009	7064048	Befüllschlauch 600mm Ø13 Boiler 6.10/6.20 EL GAS Con4	Filling hose 600mm Ø13 6.10/6.20 Boiler Con4	x		1	1	1				
D009	7064049	Befüllschlauch 850mm Ø13 Boiler 12.20/20.10/20.20 Con4	Filling hose 850mm Ø13 12.20/20.10/20.20 Boiler Con4	x				1	1	1	1	1
D009	7064050	Boiler Wasserzulaufschlauch 960mm CE Convotherm4	Boiler Water supply hose 960mm CE Convotherm4	x	x	1	1	1	1	1	1	1
D009	7064051	Boiler Wasserzulaufschlauch 960mm UL Convotherm4	Boiler Water supply hose 960mm UL Convotherm4	x	x	1	1	1	1	1	1	1
D010	5056348	Doppelniveausonde Convotherm4	Double-level probe Convotherm4	x	x	1	1	1	1	1	1	1
D011	6056350	Flachdichtung für Doppelniveausonde P3 Convotherm4	Seal for double-level probe P3 Convotherm4	x	x	1	1	1	1	1	1	1
D013	5056323	Thermoelementfühler Boiler 2300mm Convotherm4	Thermocouple probe Boiler 2300mm Convotherm4	x	x	1	1	1	1	1	1	1
D013	5056948	Thermoelementfühler Boiler 2300mm Convotherm4 UL	Thermocouple probe Boiler 2300mm Convotherm4 UL	x	x	1	1	1	1	1	1	1
D014	5056319	Schutztemperaturbegrenzer Boiler 170° Convotherm4	Safety temperature limiter Boiler 170° Convotherm4	x	x	1	1	1	1	1	1	1
D017	2064058	Kamin Boiler Gas 6.10/6.20 kpl Convotherm4	Chimney gas boiler 6.10/6.20 cpl Convotherm4	x		1						
D017	2064059	Kamin Boiler Gas 10.10 kpl Convotherm4	Chimney gas boiler 10.10 cpl Convotherm4	x			1					
D017	2064060	Kamin Boiler Gas 10.20 kpl Convotherm4	Chimney gas boiler 10.20 cpl Convotherm4	x				1				
D017	2064061	Kamin Boiler Gas 12.20 kpl Convotherm4	Chimney gas boiler 12.20 cpl Convotherm4	x					1			
D017	2064062	Kamin Boiler Gas 20.10/20.20 kpl Convotherm4	Chimney gas boiler 20.10/20.20 cpl Convotherm4	x						1	1	
D018	2251357	Einspritzkanal Ansaugblech 6.10/6.20 Elektro Convotherm4	Spray ChannElectric for Suction PanElectric 6.10/6.20 Electric Convotherm4	x		1	1					
D018	2251378	Einspritzkanal Ansaugblech 10.10/10.20 GAS Convotherm4	Spray ChannElectric for Suction PanElectric 10.10/10.20 GAS Convotherm4	x				1	1			
D018	2251379	Einspritzkanal Ansaugblech 6.10/6.20 GAS Convotherm4	Spray ChannElectric for Suction PanElectric 6.10/6.20 GAS Convotherm4	x		1	1					
D018	2251424	Einspritzkanal Ansaugblech 10.10/10.20 Elektro Convotherm4	Spray ChannElectric for Suction PanElectric 10.10/10.20 Electric Convotherm4	x				1	1			
D018	2251425	Einspritzkanal Ansaugblech 12.20 Convotherm4	Spray ChannElectric for Suction PanElectric 12.20 Convotherm4	x					1			
D018	2264176	Einspritzung 20.x geschweißt Convotherm4	Injection 20.x welded Convotherm4	x						1	1	1
D019	2064177	Rohrleitung Einspritzer Decke x.10 Convotherm4	Piping injection top x.10 Convotherm4	x	x	1						1
D019	2064175	Rohrleitung Einspritzer Decke x.20 Convotherm4	Piping injection top x.20 Convotherm4	x	x	1		1	1	1	1	1
D020	2223452	2 Einspritzdüsen 0.6mm mit Drucksch. und Manometer P3 Con4	2 Inject nozzles 0.6mm pressure switch and gauge P3 Con4	x	x							1
D021	2230013	Druckregulierungsventil 6.10 P3 Convotherm4 + 6.06 Mini	Pressure regulator valve 6.10 P3 Convotherm4 + 6.06 Mini	x	x	1						
D021	2230014	Druckregulierungsventil 6.20, 10.10, 10.20 P3 Convotherm4	Pressure regulator valve 6.20 / 10.10 / 10.20 P3 Convotherm4	x	x		1	1	1			
D021	2230015	Druckregulierungsventil 12.20 P3 Convotherm4	Pressure regulator valve 12.20 P3 Convotherm4	x	x				1			
D021	2230016	Druckregulierungsventil 20.20 P3 Convotherm4	Pressure regulator valve 20.20 P3 Convotherm4	x	x						1	1
D021	2230017	Druckregulierungsventil 20.10 P3 Convotherm4	Pressure regulator valve 20.10 P3 Convotherm4	x	x						1	
D027	7064043	Abwasserrohr Boiler Ø22 12EL 6.10/6.20/10.10 Gas Con4	Drain pipe boiler Ø22 12EL 6.10/6.20/10.10 Gas Con4	x		1	1	1				
D027	7064258	Abwasserrohr Boiler Ø22mm 10.10 10.20 EL Convotherm4	Drain Pipe Boiler Ø22mm 10.10 10.20 EL Convotherm4	x				1	1			
D027	7064259	Abwasserrohr Boiler Ø22mm 12.20 20.10 20.20 EL Convotherm4	Drain Pipe Boiler Ø22mm 12.20 20.10 20.20 EL Convotherm4	x					1	1	1	1
D027	7064044	Abwasserrohr Boiler Ø22 Gas 10.20 bis 20.20 Con4	Drain pipe boiler Ø22 Gas 10.20 bis 20.20 Con4	x					1	1	1	1
D028	2364047	Saugschlauch Ø 10 Boiler Convotherm4	Suction hose Ø 10 Boiler Convotherm4	x	x	1	1	1	1	1	1	1
D029	6064254	Anschluss G3/4" Rücksaugversicherung Gas Boiler Convotherm4	Connector G3/4" Backflowpreventer Gas Boiler Convotherm4	x	x	1	1	1	1	1	1	1
D030	2364203	Halteblech Entleerungspumpe Elektro Convotherm4	Bracket pump boiler electric Convotherm4	x		1	1	1	1	1	1	1
D030	2364204	Halteblech Entleerungspumpe GAS Convotherm4	Bracket pump boiler gas Convotherm4	x		1	1	1	1	1	1	1
E001	5056347	Motor 0.35kW 215V50Hz Convotherm4	Motor 0.35kW 215V50Hz Convotherm4	x	x	1	1	1	1	1	2	2
E002	2617294	Motorbefestigung Set P3 Convotherm4	Fixing parts for motor P3 Convotherm4	x	x	1	1	1	1	1	2	2
E003	2617295	Motorwellendichtung	Seal for Motor shaft	x	x	1	1	1	1	1	2	2
E004	6064173	Abstandsbochse Motor Convotherm4	Distance Motor Convotherm4	x	x	1	1	1	1	1	2	2
E005	6056333	Lüfterrad 6.10/10.10/20.10 Convotherm4	Fan wheel 6.10/10.10/20.10 Convotherm4	x	x	1						2
E005	6056334	Lüfterrad 6.20/10.20/12.20/20.20 Convotherm4	Fan wheel 6.20/10.20/12.20/20.20 Convotherm4	x	x	1						2
E006	2617293	Lüfterradbefestigung P3 Con4	Fan Wheel fixing P3 Con4	x	x	1	1	1	1	1	2	2
E007	5056330	Heizelement Heißluft 6.10 10.5 kW 230V Convotherm4	Heating element Convection 6.10 10.5 kW 230V Convotherm4	x		1						
E007	5056331	Heizelement Heißluft 6.10 unten 18.9 kW 230V Con4	Heating element Convec 20.10 bottom 18.9kW 230V Con4	x		1	1	1				2
E007	5056332	Heizelement Heißluft 10.20/12.20/20.20 2x16.5kW 230V Con4	Heating element Convec 10.20/12.20/20.20 2x16.5kW 230V Con4	x					1	1		2
E007	5056935	Heizelement Heißluft 6.10 10.5 kW 200V Convotherm4	Heating element Convection 6.10 10.5 kW 200V Convotherm4	x		1						
E007	5056936	Heizelement Heißluft 6.20/10.10/20.10 18.9 kW 200V Con4	Heating element Convec 6.20/10.10/20.10 18.9kW 200V Con4	x		1	1	1				2
E007	5056937	Heizelement Heißluft 10.20/12.20/20.20 2x16.5kW 200V Con4	Heating element Convec 10.20/12.20/20.20 2x16.5kW 200V Con4	x					1	1		2
E007	5056938	Heizelement Heißluft 6.10 10.5 kW 277V Convotherm4	Heating element Convection 6.10 10.5 kW 277V Convotherm4	x		1						
E007	5056939	Heizelement Heißluft 6.20/10.10/20.10 18.9 kW 277V Con4	Heating element Convec 6.20/10.10/20.10 18.9kW 277V Con4	x				1	1			
E007	5056940	Heizelement Heißluft 10.20/12.20/20.20 2x16.5kW 277V Con4	Heating element Convec 10.20/12.20/20.20 2x16.5kW 277V Con4	x					1	1	1	2
E007	5064166	Heizelement Heißluft 6.20/10.10/20.10 10kW 230V Con4	Heating element Convec 6.20/10.10/20.10 10kW 230V Con4	x					1	1		2
E008	2623227	Befest. Set Heißluft Heizelem 10.20/12.20/20.20 P3 Con4	Mount. set convect heating elem 10.20/12.20/20.20 P3 Con4	x						1	1	2
E008	2623226	Bef. Set Heißluft Heizelem 6.10/6.20/10.10/20.10 P										

#	ET-Nr. Part No	Beschreibung	Description											
				Elektro	Gas	6.10	6.20	10.10	10.20	12.20	20.10	20.20		
E011	5056329	Schutztemperaturbegrenzer 340° C P3 Convotherm4	Safety temperature limiter 340° C P3 Convotherm4	x	x	1	1	1	1	1	1	1	1	1
E012	5056324	Thermoelementfühler M5 3200mm Convotherm4	Thermocouple probe M5 3200mm Convotherm4	x	x	4	4	4	4	4	4	4	4	4
E012	5056947	Thermoelementfühler M5 3200mm Convotherm4 UL	Thermocouple probe M5 3200mm Convotherm4 UL	x	x	4	4	4	4	4	4	4	4	4
E013	2064001	Wärmetauscher Heißluft 6.10 geschw Con4	Heat Exchanger Convection 6.10 geschw Con4	x	x	1								
E013	2064002	Wärmetauscher Heißluft 6.20 geschw Con4	Heat Exchanger Convection 6.20 geschw Con4	x	x	1								
E013	2064003	Wärmetauscher Heißluft 10.10 / 20.10 oben geschw Con4	Heat Exchanger Convection 10.10 / 20.10 top geschw Con4	x	x		1					1		
E013	2064004	Wärmetauscher Heißluft 10.20 / 20.20 oben geschw Con4	Heat Exchanger Convection 10.20 / 20.20 top geschw Con4	x	x			1					1	
E013	2064005	Wärmetauscher Heißluft 12.20 geschw Con4	Heat Exchanger Convection 12.20 geschw Con4	x	x					1				
E014	2064008	Verlängerung Wärmetauscher Heißluft 20.10 geschw Con4	Extension Heat Exchanger Convection 20.10 geschw Con4	x	x							1		
E014	2064009	Verlängerung Wärmetauscher Heißluft 20.20 geschw Con4	Extension Heat Exchanger Convection 20.20 geschw Con4	x	x								1	
E015	2664269	Gegenflansch Kamin Ø50 Convotherm4	Counter flange chimney Ø50 Convotherm4	x	x	1	1	1					1	
E015	2664270	Gegenflansch Kamin Ø70 Convotherm4	Counter flange chimney Ø70 Convotherm4	x	x			1	1	1			1	
E016	2664183	Deckblech Kamin Heißluft 6.10/10.10, Boiler 6.10/10.10, Convotherm4	Cover Sheet Chimney Convection 6.10/10.10, Boiler 6.10/10.10 Convotherm4	x	x	1		1						
E016	2664184	Deckblech Kamin Heißluft 6.20, Boiler 6.20, Convotherm4	Cover Sheet Chimney Convection 6.20, Boiler 6.20 Convotherm4	x	x	1								
E016	2664185	Deckblech Kamin Heißluft 10.20/12.20 Boiler 10.20 Convotherm4	Cover Sheet Chimney Convection 10.20/12.20 Boiler 10.20 Convotherm4	x	x			1						
E016	2664186	Deckblech Kamin Heißluft 20.10 Convotherm4	Cover Sheet Chimney Convection 20.10 Convotherm4	x	x								1	
E016	2664187	Deckblech Kamin Heißluft 20.20 Convotherm4	Cover Sheet Chimney Convection 20.20 Boiler 20.20 Convotherm4	x	x									1
E016	2664188	Deckblech Kamin Boiler 12.20/20.10/20.20 Convotherm4	Cover Sheet Chimney Boiler 12.20/20.10/20.20 Convotherm4	x	x					1	1	1		
E017	2064006	Wärmetauscher Heißluft 20.10 unten geschw Con4	Heat Exchanger Convection 20.10 bottom geschw Con4	x	x							1		
E017	2064007	Wärmetauscher Heißluft 20.20 unten geschw Con4	Heat Exchanger Convection 20.20 bottom geschw Con4	x	x									1
E018	6064015	Dichtung Brennerkam. Heißluft 6.10/6.20/10.10/20.10 Con4	Gasket hot air burner chamber 6.10/6.20/10.10/20.10 Con4	x	x	1	1	1					1	
E018	6064016	Dichtung Brennerkammer Heißluft 10.20/12.20/20.20 Con4	Gasket hot air burner chamber 10.20/12.20/20.20 Con4	x	x				1	1	1			1
E019	6063551	Dichtung Thermoelementf. 5 St. OSC/OSP P2 P3 Convotherm4	Gasket temp probe 5 pc. OSC/OSP P2 P3 Convotherm4	x	x	4	4	4	4	4	4	4	4	4
E021	2064054	Scheibe Kamin (12 Stück) Convotherm4	spacer chimney cover (12 pcs) Convotherm4	x	x	8	8	8	8	8	8	12	12	
E022	6064078	Dichtung Brennerkammer Boiler 6.10/6.20/10.10 Con4	Gasket boiler burner chamber 6.10/6.20/10.10 Con4	x	x	1	1	1						
E022	6064079	Dichtung Brennerkammer Boiler 10.20 bis 20.20 Con4	Gasket boiler burner chamber 10.20 to 20.20 Con4	x	x				1	1	1	1	1	1
E023	6064017	Dichtung Kamin Heißluft Ø50 Convotherm4	Gasket exhaust Convection Ø50 Convotherm4	x	x	1	1	1					1	
E023	6064018	Dichtung Kamin Heißluft Ø70 Convotherm4	Gasket exhaust Convection Ø70 Convotherm4	x	x				1	1	1			1
F001	2064063	Brennereinheit Heißluft 10.20/20.20 kpl Convotherm4	Hot air burner unit 10.20/20.20 cpl Convotherm4	x	x			1	1	1	2			2
F001	2064064	Brennereinheit Heißluft 6.10 kpl Convotherm4	Hot air burner unit 6.10 cpl Convotherm4	x	x	1								
F001	2064065	Brennereinheit Heißluft 6.20 kpl Convotherm4	Hot air burner unit 6.20 cpl Convotherm4	x	x	1								
F001	2064200	Brennereinheit Heißluft 20.10oben kpl Convotherm4	Hot air burner unit 20.10top cpl Convotherm4	x	x								1	
F001	2064066	Brennereinheit Heißluft 10.10/20.10unten kpl Convotherm4	Hot air burner unit 10.10/20.10bottom cpl Convotherm4	x	x			1					1	
F001	2064068	Brennereinheit Heißluft 12.20 kpl Convotherm4	Hot air burner unit 12.20 cpl Convotherm4	x	x							1		
F002	5056959	Brennergebläse 230V 110W CE/UL Convotherm4	Burner fan 230V 110W CE/UL Convotherm4	x	x	2	2	2	2	2	3	3	3	3
F003	6056960	Venturi 40kW P3 Convotherm4	Venturi 40kW P3 Convotherm4	x	x	2	2	2	2	2	3	3	3	3
F004	6056955	Gasventil 230V CE Convotherm4	Gas Valve 230V CE Convotherm4	x	x	2	2	2	2	2	3	3	3	3
F004	6056956	Gasventil 110V UL Convotherm4	Gas Valve 110V UL Convotherm4	x	x	2	2	2	2	2	3	3	3	3
F005	6056957	Feuerungsautomat 230V CE Convotherm4	Firing device 230V CE Convotherm4	x	x	2	2	2	2	2	3	3	3	3
F005	6056958	Feuerungsautomat 110V UL Convotherm4	Firing device 110V UL Convotherm4	x	x	2	2	2	2	2	3	3	3	3
F006	2064189	Brennereinheit Heißluft 10.20 20.20 Convotherm 4	Hot Air Burner unit 10.20 20.20 Convotherm 4	x	x				1					1
F006	2064199	Brennereinheit Heißluft 6.10 6.20 Convotherm 4	Hot Air Burner unit 6.10 6.20 Convotherm 4	x	x	1	1	1						1
F007	4056951	Zünd- + Masselektrode Boiler Convotherm4	Ignition + Ground electrode boiler Convotherm4	x	x	1	1	1	1	1	1	1	1	1
F007	4064132	Masselektrode Heißluft Convotherm4	Ground electrode convection Convotherm4	x	x	1	1	1	1	1	1	2	2	
F008	4056950	Zünd- + Masselektrode Heißluft Convotherm4	Ignition + Ground electrode convection Convotherm4	x	x	1	1	1	1	1	1	2	2	
F012	2064220	Gasleitung Spritzer 6.10 CE Convotherm4	Gas Pipe Sprayer 6.10 CE Convotherm4	x	x	1								
F012	2064221	Gasleitung Spritzer 6.20 CE	Gas Pipe Sprayer 6.20 CE	x	x	1								
F012	2064222	Gasleitung Spritzer 10.10/10.10/20.10/20.20 CE	Gas Pipe Sprayer 10.10/10.10/20.10/20.20 CE	x	x			1	1	1				
F012	2064223	Gasleitung Spritzer 6.10 UL Convotherm4	Gas Pipe Sprayer 6.10 UL Convotherm4	x	x	1								
F012	2064224	Gasleitung Spritzer 6.20 UL	Gas Pipe Sprayer 6.20 UL	x	x	1								
F012	2064225	Gasleitung Spritzer 10.10 UL	Gas Pipe Sprayer 10.10 UL	x	x			1						
F012	2064227	Gasleitung Spritzer 10.20/12.20 UL	Gas Pipe Sprayer 10.20/12.20 UL	x	x					1	1			
F012	6064247	Gasschlauch 800mm 6.10 Heißluft Convotherm4	Gas Tube 800mm 6.10 Hotair Convotherm4	x	x	H								
F012	6064248	Gasschlauch 500mm Convotherm4	Gas Tube 500mm Convotherm4	x	x	B	B	H	H	B,H				H2
F012	6064249	Gasschlauch 300mm Convotherm4	Gas Tube 300mm Convotherm4	x	x					B				B,H2
F012	6064250	Gasschlauch 700mm Convotherm4	Gas Tube 700mm Convotherm4	x	x	H	B							
F012	6064251	Gasschlauch 1100mm Convotherm4	Gas Tube 1100mm Convotherm4	x	x									H1
F012	6064252	Gasschlauch 1300mm Convotherm4	Gas Tube 1300mm Convotherm4	x	x									H1
F013	6064075	Dichtung Brennergebläse Convotherm4	Gasket burner fan Convotherm4	x	x	4	4	4	4	4	4	6	6	6
F014	6017000	Gasblende Ø520 P3 Convotherm4	Gas restriction plate Ø520 P3 Convotherm4	x	x									
F014	6017001	Gasblende Ø400 P3 Convotherm4	Gas restriction plate Ø400 P3 Convotherm4	x	x									
F014	6017002	Gasblende Ø430 P3 Convotherm4	Gas restriction plate Ø430 P3 Convotherm4	x	x									
F014	6017003	Gasblende Ø440 P3 Convotherm4	Gas restriction plate Ø440 P3 Convotherm4	x	x									
F014	6017004	Gasblende Ø550 P3 Convotherm4	Gas restriction plate Ø550 P3 Convotherm4	x	x									
F014	6017005	Gasblende Ø580 P3 Convotherm4	Gas restriction plate Ø580 P3 Convotherm4	x	x									
F014	6017006	Gasblende Ø630 P3 Convotherm4	Gas restriction plate Ø630 P3 Convotherm4	x	x									
F014	6017007	Gasblende Ø660 P3 Convotherm4	Gas restriction plate Ø660 P3 Convotherm4	x	x									
F014	6017008	Gasblende Ø680 P3 Convotherm4	Gas restriction plate Ø680 P3 Convotherm4	x	x									
F014	6017010	Gasblende Ø620 P3 Convotherm4	Gas restriction plate Ø620 P3 Convotherm4	x	x									
F014	6017011	Gasblende Ø470 P3 Convotherm4	Gas restriction plate Ø470 P3 Convotherm4	x	x									
F014	6017012	Gasblende Ø700 P3 Convotherm4	Gas restriction plate Ø700 P3 Convotherm4	x	x									
F014	6017013	Gasblende Ø490 P3 Convotherm4	Gas restriction plate Ø490 P3 Convotherm4	x	x									
F014	6057150	Gasblende Ø600 P3 Convotherm4	Gas restriction plate Ø600 P3 Convotherm4	x	x									
F014	6062419	Gasblende Ø420 P3 Convotherm4	Gas restriction plate Ø420 P3 Convotherm4	x	x									
F014	6062420	Gasblende Ø340 P3 Convotherm4	Gas restriction plate Ø340 P3 Convotherm4	x	x									
F014	6062423	Gasblende Ø360 P3 Convotherm4	Gas restriction plate Ø360 P3 Convotherm4	x	x									
F014	7064100	Universaldichtungssatz Convotherm4 Gas	Universal gasket kit Convotherm4 Gas	x	x	1	1	1	1	1	1	1	1	1
F014	2662350	Umrüstset Universal CE Gas Düsen Convotherm4	Conversion Set Universal CE Gas Orifices Convotherm4	x	x	1	1	1	1	1	1	1	1	1
F014	2662351	Umrüstset 6.10 CE Gas Düsen Convotherm4	Conversion Set 6.10 CE Gas Orifices Convotherm4	x	x	1								
F014	2662354	Umrüstset 6.20 CE Gas Düsen Convotherm4	Conversion Set 6.20 CE Gas Orifices Convotherm4	x	x	1								
F014	2662357	Umrüstset 10.10 CE Gas Düsen Convotherm4	Conversion Set 10.10 CE Gas Orifices Convotherm4	x	x			1						
F014	2662360	Umrüstset 10.20/12.20 CE Gas Düsen Convotherm4	Conversion Set 10.20/12.20 CE Gas Orifices Convotherm4	x	x				1	1				
F014	2662363	Umrüstset 20.10 CE Gas Düsen Convotherm4	Conversion Set 20.10 CE Gas Orifices Convotherm4	x	x							1		
F014	2662366	Umrüstset 20.20 CE Gas Düsen Convotherm4	Conversion Set 20.20 CE Gas Orifices Convotherm4	x	x									1
F014	2662369	Umrüstset 6.10 UL Gas Düsen Convotherm4	Conversion Set 6.10 UL Gas Orifices Convotherm4	x	x	1								
F014	2662370	Umrüstset 6.20 UL Gas Düsen Convotherm4	Conversion Set 6.20 UL Gas Orifices Convotherm4	x	x	1								
F014	2662371	Umrüstset 10.10 UL Gas Düsen Convotherm4	Conversion Set 10.10 UL Gas Orifices Convotherm4	x	x			1						
F014	2662372	Umrüstset 10.20 UL Gas Düsen Convotherm4	Conversion Set 10.20 UL Gas Orifices Convotherm4	x	x					1				
F014	2662373	Umrüstset 12.20 UL Gas Düsen Convotherm4	Conversion Set 12.20 UL Gas Orifices Convotherm4	x	x						1			
F014	2662374	Umrüstset 20.10 UL Gas Düsen Convotherm4	Conversion Set 20.10 UL Gas Orifices Convotherm4	x	x								1	
F014	2662375	Umrüstset 20.20 UL Gas Düsen Convotherm4	Conversion Set 20.20 UL Gas Orifices Convotherm4	x	x									1
F016	2664070	Gasanschluss R3/4" geschw Convotherm4	Gas connector R3/4" welded Convotherm4	x	x	1	1	1	1	1	1	1	1	1
F016	2664071	Gasanschluss 1/2" NPT geschw Convotherm4	Gas connector 1/2" NPT welded Convotherm4	x	x	1	1	1						
F016	2664072	Gasanschluss 3/4" NPT geschw Convotherm4	Gas connector 3/4" NPT welded Convotherm4	x	x					1	1	1	1	1
F017	2657782NP	Ansaugstrecke 2x90° Blende Ø33 Schlauch 800mm Convotherm4	Intake system 2x90° Baffle Ø33 hose 800mm Convotherm4	x	x					B,H	B,H	B		
F017	2657782NP	Ansaugstrecke 2x90° Blende Ø33 Schlauch 800mm CE Convotherm4	Intake system 2x90° Baffle Ø33 hose 800mm CE Convotherm4	x	x									B,H
F017	2657783NP	Ansaugstutzen Venturi 90° Blende Ø33 Convotherm4	Air Intake Venturi 90° Baffle Ø33 Convotherm4	x	x									B,H
F017	2657784NP	Ansaugstutzen Venturi gerad Blende Ø19 Convotherm4	Air Intake Venturi straight Baffle Ø19 Convotherm4	x	x	B,H	B,H							
F017	2657785NP	Ansaugstutzen Venturi gerad Blende Ø23 Convotherm4	Air Intake Venturi straight Baffle Ø23 Convotherm4	x	x	B,H								
F017	2657786NP	Ansaugstutzen Venturi gerad Blende Ø25 EU Convotherm4	Air Intake Venturi straight Baffle Ø25 EU Convotherm4	x	x					B,H				
F017	2657786NP	Ansaugstutzen Venturi gerad Blende Ø25 Convotherm4												

#	ET-Nr. Part No	Beschreibung	Description	Elektro	GAS	6.10	6.20	10.10	10.20	12.20	20.10	20.20
F018	2064021	Brennereinheit Boiler Gas 10.20 bis 20.20 kpl Con4	Boiler burner unit 10.20 to 20.20 cpl Con4	x	x				1	1	1	1
F022	2664229	Adapter Venturi 180° Kasten Convotherm4	Adapter box 180° for venturi Convotherm4	x		H	H				H	
F022	2664230	Adapter Venturi 110° Convotherm4	Adapter 110° for venturi Convotherm4	x	B		B					
F023	2655497	Blende Gebläse Ø23 UL Convotherm4	Baffle Blower Fan Ø23 UL Convotherm4	x				B				B
F023	2655498	Blende Gebläse Ø24 UL Convotherm4	Baffle Blower Fan Ø24 UL Convotherm4	x					H			H
F023	2655499	Blende Gebläse Ø18 CE Convotherm4	Baffle Blower Fan Ø18 CE Convotherm4	x				B,H				H
F023	2655499	Blende Gebläse Ø18 UL Convotherm4	Baffle Blower Fan Ø18 UL Convotherm4	x	B,H	B,H	B,H					H
F023	2657824	Blende Gebläse Ø16 CE Convotherm4	Baffle Blower Fan Ø16 CE Convotherm4	x	B,H							
F023	2657900	Blende Gebläse Ø19 (AU) EU Convotherm4	Baffle Blower Fan Ø19 (AU) EU Convotherm4	x		B,H	(H)				(H)	
F023	2657901	Blende Gebläse Ø22 Convotherm4	Baffle Blower Fan Ø22 Convotherm4	x						H		
F023	2657901	Blende Gebläse Ø22 CE Convotherm4	Baffle Blower Fan Ø22 CE Convotherm4	x					H			H
F023	2657902	Blende Gebläse Ø25 CE Convotherm4	Baffle Blower Fan Ø25 CE Convotherm4	x				B	B	B	B	
F023	2657902	Blende Gebläse Ø25 UL Convotherm4	Baffle Blower Fan Ø25 UL Convotherm4	x							B	B
F024	2664253	Klammer Brenner Convotherm4	Clip burner Convotherm4	x	x	x	x	x	x	x	x	x
F025	6056952	Gas-Hauptventil 3/4" CE 230V Con4	Main gas valve 3/4" CE 230V Con4	x	1	1	1	1	1	1	1	1
F025	6056953	Gas-Hauptventil 1/2" 6.10 / 6.20 / 10.10 UL 115V Con4	Main gas valve 1/2" 6.10 / 6.20 / 10.10 UL 115V Con4	x	1	1	1	1	1	1	1	1
F025	6056954	Gas-Hauptventil 3/4" 10.20/12.20/20.10/20.20 UL 115V Con4	Main gas valve 3/4" 10.20/12.20/20.10/20.20 UL 115V Con4	x	1	1	1	1	1	1	1	1
F026	6064590	Gasverteiler 2-Wege NPT 1/2" UL Convotherm4	Gas distributor 2-way NPT 1/2" UL Convotherm4	x	1	1	1					
F026	6064591	Gasverteiler 2-Wege NPT 3/4" UL Convotherm4	Gas distributor 2-way NPT 3/4" UL Convotherm4	x					1	1	1	1
F026	6064592	Gasverteiler 3-Wege NPT 3/4" UL Convotherm4	Gas distributor 3-way NPT 3/4" UL Convotherm4	x							1	1
F026	6064593	Gasverteiler 2-Wege R 3/4" CE Convotherm4	Gas distributor 2-way R 3/4" CE Convotherm4	x	1	1	1	1	1	1	1	1
F026	6064594	Gasverteiler 3-Wege R 3/4" CE Convotherm4	Gas distributor 3-way R 3/4" CE Convotherm4	x								1
F027	2662478	Wärmeschutzblech Brenner Heißluft 10.20/12.20/20.20 Convotherm4	Heat shield convection burner 10.20/12.20/20.20 Convotherm4	x					1	1	2	2
F028	6064077	Dichtring Gasblende Boiler P3 Convotherm4	Sealing ring gas overlay P3 Convotherm4	x	2	2	2	2	2	3	3	
F029	6064076	Korkdichtung Venturi P3 Convotherm4	Sealing ring cork Venturi P3 Convotherm4	x	1	1	1	1	1	1	1	1
F030	6064080	Dichtung Zündelegrode Boiler Convotherm4	Gasket ignition electrode Convotherm4	x	2	2	2	2	2	3	3	
G001	5056379	Magnetventil 2fach 230V Convotherm4	Solenoid valve dual 230V Convotherm4	x	x	1	1	1	1	1	1	1
G002	7050500	Wasserschlauch DN10 Convotherm4	Potable Water Tube - DN10 Convotherm4	x	x	1	1	1	1	1	1	1
G011	6056382	Rollhandbrause Knopf Convotherm4	Retractable hand shower button Convotherm4	x	x	1	1	1	1	1	1	1
G012	6064246	Halter Rollhandbrause Convotherm4	Holder retractable Hand shower Convotherm4	x	x						1	1
G015	6006086	Schlauchschele 12 - 22 verzinkt Convotherm4	Hose clamp 12 - 22 zinc plated Convotherm4	x	x	4	4	4	4	4	4	4
G030	6056491	Rollhandbrause Tischgeräte Convotherm4	Retractable hand shower for Table Top Model Convotherm4	x	x	1	1	1	1			
G030	6056492	Rollhandbrause Standgeräte Convotherm4	Retractable hand shower for Floor Model Convotherm4	x	x						1	1
G031	6064811	Gewindebuchse M6x80 Rollhandbrause Convotherm4	Screw socket M6x80 Retractable Handshower Convotherm4	x	x					3	3	3
G036	4064180	Mikroschalter Rollhandbrause Convotherm4	Microswitch Retractable Handshower Convotherm4	x	x	1	1	1	1	1	1	1
G041	5064067	Magnetventil 1fach 230V (option ohne Handbrause) Con4	Solenoid valve single 230V (opt without Handshower) Con4	x	x	1	1	1	1	1	1	1
G065	5056375	Druckschalter Einspritzung P3 Convotherm4	Pressure switch injection P3 Convotherm4	x	x	1	1	1	1	1	1	1
G073	5056378	Magnetventil 1fach 230V Convotherm4	Solenoid valve single 230V Convotherm4	x	x	1	1	1	1	1	1	1
G074	6064181	Schutzschlauch für Rollhandbrause 20.20 Convotherm4	Protective Hose for retractable Hand shower 20.20 Convotherm4	x	x							1
G074	6064174	Schutzschlauch für Rollhandbrause 20.10 Convotherm4	Protective Hose for retractable Hand shower 20.10 Convotherm4	x	x						1	
G074	6064178	Schutzschlauch für Rollhandbrause 12.20 Convotherm4	Protective Hose for retractable Hand shower 12.20 Convotherm4	x							1	
G074	2664217	Schutzschlauch für Rollhandbrause 12.20 GAS Convotherm4	Protective Hose for retractable Hand shower 12.20 GAS Convotherm4	x							1	
G076	5056377	Durchflussmesser Convotherm4	Flowmeter Convotherm4	x	x	1	1	1	1	1	1	1
G077	2055234	Wasserverschlauchung Elektro Spritzer 6.10 CE Convotherm4	water piping Elektro Sprayer 6.10 CE Convotherm4	x	x	1						
G077	2055235	Wasserverschlauchung Elektro Spritzer 6.20 Convotherm4	water piping Elektro Sprayer 6.20 Convotherm4	x	x		1					
G077	2055236	Wasserverschlauchung Elektro Spritzer 10.10 10.20 Convotherm4	water piping Elektro Sprayer 10.10 10.20 Convotherm4	x	x			1	1			
G077	2055237	Wasserverschlauchung Elektro Spritzer 12.20 Convotherm4	water piping Elektro Sprayer 12.20 Convotherm4	x	x				1			
G077	2055238	Wasserverschlauchung Elektro Spritzer 20.10 20.20 Convotherm4	water piping Elektro Sprayer 20.10 20.20 Convotherm4	x	x					1	1	
G077	2055269	Wasserverschlauchung Elektro Spritzer 6.10 UL Convotherm4	water piping Elektro Sprayer 6.10 UL Convotherm4	x	x	1						
G077	2055270	Wasserverschlauchung Elektro Spritzer 6.20 UL Convotherm4	water piping Elektro Sprayer 6.20 UL Convotherm4	x	x		1					
G077	2055271	Wasserverschlauchung Elektro Spritzer 10.10 10.20 UL Convotherm4	water piping Elektro Sprayer 10.10 10.20 UL Convotherm4	x	x			1	1			
G077	2055272	Wasserverschlauchung Elektro Spritzer 12.20 UL Convotherm4	water piping Elektro Sprayer 12.20 UL Convotherm4	x	x					1		
G077	2055273	Wasserverschlauchung Elektro Spritzer 20.10 20.20 UL Convotherm4	water piping Elektro Sprayer 20.10 20.20 UL Convotherm4	x	x						1	1
G078	2050492	Wasserverschlauchung Sammler RHB 5 kpl P4	Water tubing Collector retractable hand shower 12.20 Convotherm4	x	x					1		
G078	2050495	Wasserverschlauchung Sammler RHB 6 kpl P4	Water tubing Collector retractable hand shower 20.10 Convotherm4	x	x						1	
G078	2050499	Wasserverschlauchung Sammler RHB 7 kpl P4	Water tubing Collector retractable hand shower 20.20 Convotherm4	x	x							1
G078	2055262	Wasserverschlauchung Sammler RHB 5 UL kpl P4	Water tubing Collector retractable hand shower 12.20 UL Convotherm4	x	x					1		
G078	2055263	Wasserverschlauchung Sammler RHB 6 UL kpl P4	Water tubing Collector retractable hand shower 20.10 UL Convotherm4	x	x							1
G078	2055264	Wasserverschlauchung Sammler RHB 7 UL kpl P4	Water tubing Collector retractable hand shower 20.20 UL Convotherm4	x	x							1
G078	2050483	Wasserverschlauchung Sammler RHB 1 3 kpl P4	Water tubing Collector retractable hand shower 20.10 10.10 10.10 Convotherm4	x	x	1	1	1				
G078	2050486	Wasserverschlauchung Sammler RHB 2 4 kpl P4	Water tubing Collector retractable hand shower 20.10 20.10 10.10 Convotherm4	x	x	1	1	1				
G078	2055260	Wasserverschlauchung Sammler RHB 1 3 UL kpl P4	Water tubing Collector retractable hand shower 20.10 10.10 10.10 UL Convotherm4	x	x	1	1	1				
G078	2055261	Wasserverschlauchung Sammler RHB 2 4 UL kpl P4	Water tubing Collector retractable hand shower 20.10 20.10 10.10 UL Convotherm4	x	x			1	1			
G078	2057129	Wasserverschlauchung Kondensationseinheit Rollhandbrause 6.10 CE Convotherm4	water piping condenser retractable handshower 6.10 CE Convotherm4	x	x	1						
G078	2057130	Wasserverschlauchung Kondensationseinheit Rollhandbrause 6.20 CE Convotherm4	water piping condenser retractable handshower 6.20 CE Convotherm4	x	x		1					
G078	2057131	Wasserverschlauchung Kondensationseinheit Rollhandbrause 10.10 CE Convotherm4	water piping condenser retractable handshower 10.10 CE Convotherm4	x	x			1				
G078	2057132	Wasserverschlauchung Kondensationseinheit Rollhandbrause 10.20 CE Convotherm4	water piping condenser retractable handshower 10.20 CE Convotherm4	x	x				1			
G078	2057133	Wasserverschlauchung Kondensationseinheit Rollhandbrause 12.20 CE Convotherm4	water piping condenser retractable handshower 12.20 CE Convotherm4	x	x					1		
G078	2057134	Wasserverschlauchung Kondensationseinheit Rollhandbrause 20.10 CE Convotherm4	water piping condenser retractable handshower 20.10 CE Convotherm4	x	x						1	
G078	2057135	Wasserverschlauchung Kondensationseinheit Rollhandbrause 20.20 CE Convotherm4	water piping condenser retractable handshower 20.20 CE Convotherm4	x	x							1
G078	2062501	Wasserverschlauchung Kondensationseinheit Rollhandbrause 6.10 UL Convotherm4	water piping condenser retractable handshower 6.10 UL Convotherm4	x	x	1						
G078	2062502	Wasserverschlauchung Kondensationseinheit Rollhandbrause 6.20 UL Convotherm4	water piping condenser retractable handshower 6.20 UL Convotherm4	x	x		1					
G078	2062503	Wasserverschlauchung Kondensationseinheit Rollhandbrause 10.10 UL Convotherm4	water piping condenser retractable handshower 10.10 UL Convotherm4	x	x			1				
G078	2062504	Wasserverschlauchung Kondensationseinheit Rollhandbrause 10.20 UL Convotherm4	water piping condenser retractable handshower 10.20 UL Convotherm4	x	x				1			
G078	2062505	Wasserverschlauchung Kondensationseinheit Rollhandbrause 12.20 UL Convotherm4	water piping condenser retractable handshower 12.20 UL Convotherm4	x	x					1		
G078	2062506	Wasserverschlauchung Kondensationseinheit Rollhandbrause 20.10 UL Convotherm4	water piping condenser retractable handshower 20.10 UL Convotherm4	x	x						1	
G078	2062507	Wasserverschlauchung Kondensationseinheit Rollhandbrause 20.20 UL Convotherm4	water piping condenser retractable handshower 20.20 UL Convotherm4	x	x							1
G079	2655034	Schlauch PVC Ø 10x1,5 klar Convotherm4	Hose PVC Ø 10x1,5 transparent Convotherm4	x	x	1	1	1	1	1	1	1
G080	5056979	RC-Filter 470nF 150 Ohm Magnetv. Boiler+Einspritzung Con4	RC-Filter 470nF 150 Ohm Solenoid Boiler+Injection Con4	x	x	1	1	1	1	1	1	1
G081	5056980	RC-Filter 470nF 150 Ohm Magnetventil Sammler Con4	RC-Filter 470nF 150 Ohm Solenoid Collector Con4	x	x	1	1	1	1	1	1	1
G082	5056981	RC-Filter 470nF 150 Ohm Magnetventil Rollhandbrause Con4	RC-Filter 470nF 150 Ohm Solenoid Handshower Convotherm4	x	x	1	1	1	1	1	1	1
G083	5052759	RC-Filter 470nF 150 Ohm Magnetventil Kondensationseinheit Con4	RC-Filter 470nF 150 Ohm Solenoid vapor removal Convotherm4	x	x	1	1	1	1	1	1	1
H004	7064045	Tropfrinnenschlauch 6.10/10.10.(beinh. 7050585) Convotherm4	Drip Tray Sewagehose 6.10/10.10.(incl. 7050585) Convotherm4	x	x	1	1	1				
H004	7064046	Tropfrinnenschlauch 6.20/10.20.(beinh. 7050599) Convotherm4	Drip Tray Sewagehose 6.20/10.20.(incl. 7050599) Convotherm4	x	x	1	1	1				
H021	2456493	Abwasserbox Convotherm4	Drainbox Convotherm4	x	x	1	1	1	1	1	1	1
H022	4064133	Relais 230V/AC Fettabscheider Convotherm 4	Relais 230V/AC Grease Separator Convotherm 4	x	x	1	1	1	1			
H024	5064136	Schwimmer Fettabscheider Convotherm4	Floater Fettabscheider Convotherm4	x	x	1	1	1	1			
H025	7064216	Fettabscheider Schlauchwinkel Ø13 12.20, 20.x Convotherm4	Grease separator hose elbow Ø13 12.20, 20.x Convotherm4	x	x	1	1	1	1	1	1	1
H025	7064134	Schlauch-Set Fettabscheider Convotherm4	Tube-Set Grease Separator Ø 13 Convotherm4	x	x	1	1	1	1			
H026	2164228	Haltewinkel Drainbox Standgeräte Convotherm4	Fixing bracket Drainbox floor models Convotherm4	x	x						1	1
H026	2464293	Haltewinkel Drainbox Tischgeräte Convotherm4	Bracket Drainbox tabletop models Convotherm4	x	x	1	1	1	1			
H027	7064086	Abwasserschlauch 6.10/10.10 El. Ø22 Boiler-Drainbox Con4	Waste water hose 6.10/10.10 El. Ø22 Boiler-Drainbox Con4	x		1	1	1				
H027	7064087	Abwasserschlauch 6.10/10.20 El. Ø22 Boiler-Drainbox Con4	Waste water hose 6.10/10.20 El. Ø22 Boiler-Drainbox Con4	x			1	1				
H027	7064088	Abwasserschlauch 20.10 GAS 20.10/20.20 Elektro Ø22 Con4	Waste water hose 20.10 GAS 20.10/20.20 Electric Ø22 Con4	x							1	1
H027	7064088	Abwasserschlauch 20.10 GAS 20.10/20.20 Elektro Ø22 Con4	Waste water hose 20.10 GAS 20.10/20.20 Electric Ø22 Con4	x							1	1
H027	7064089	Abwasserschlauch 20.20GAS 12.20Elektro Ø22 Con4	Waste water hose 20.20GAS 12.20Electric Ø22 Con4	x							1	
H027	7064089	Abwasserschlauch 20.20GAS 12.20Elektro Ø22 Con4	Waste water hose 20.20GAS 12.20Electric Ø22 Con4	x							1	
H027	7064090	Abwasserschlauch 6.10 GAS Ø22 Boiler-Drainbox Con4	Waste water hose 6.10 GAS Ø22 Boiler-Drainbox Con4	x		1						
H027	7064091	Abwasserschlauch 6.20/10.20 GAS Ø22 Boiler-Drainbox Con4	Waste water hose 6.20/10.20 GAS Ø22 Boiler-Drainbox Con4	x			1					
H027	7064092	Abwasserschlauch 10.10 GAS Ø22 Boiler-Drainbox Con4	Waste water hose 10.10 GAS Ø22 Boiler-Drainbox Con4	x				1				
H028	7064084	Abwasserschlauch 6.10 bis 10.20 Ø22 Sammler-Drainbox Con4	Waste water hose 6.10to10.20 Ø22 Collector-Drainbox Con4	x	x	1	1	1	1			
H028	7064085	Abwasserschlauch 12.20bis20.20 Ø22 Sammler-Drainbox Con4	Waste water hose 12.20to20.20 Ø22 Collector-Drainbox Con4	x	x						1	1
H029	5056380	Entleerungspumpe Sammler Convotherm4	Drainage pump collector Convotherm4	x	x	1	1	1	1	1	1	1
H030	6064296	Kappe Sammlerbox Ø 21	Cap Collector box pipe Ø 21	x	x	1						



#	ET-Nr. Part No	Beschreibung	Description	Elektro											
					6.10	6.20	10.10	10.20	12.20	20.10	20.20				
H031	6064297	Kappe Sammlerbox Ø 18	Cap Collector box pipe Ø 18	x	x	2	2	2	2	2	2	2	2		
H032	6064298	Kappe Sammlerbox Ø 15	Cap Collector box pipe Ø 15	x	x	2	2	2	2	2	2	2	2		
H033	6064299	Kappe Sammlerbox Ø 6	Cap Collector box pipe Ø 6	x	x	1	1	1	1	1	1	1	1		
H034	8050770	Drahtschelle Ø25,2 gelb passiviert Convotherm4	Hose clamp 25,2 Ø passivated yellow Convotherm4	x	x	3	3	3	3	3	3	3	3		
H035	6056494	Dichtmanschette 60mm für Drainbox Convotherm4	Sealing collar 60mm for Drainbox Convotherm4	x	x	1	1	1	1	1	1	1	1		
H036	2664206	Fettsabscheider Einheit 6.x, 10.x CE Convotherm4	Grease separator unit 6.x, 10.x CE Convotherm4	x	x	1	1	1	1						
H036	2664207	Fettsabscheider Einheit 6.x, 10.x UL Convotherm4	Grease separator unit 6.x, 10.x UL Convotherm4	x	x	1	1	1	1						
H036	2664208	Fettsabscheider Einheit 20.10 Convotherm4	Grease separator unit 20.10 Convotherm4	x	x									1	
H036	2664210	Fettsabscheider Einheit 12.20, 20.20 Convotherm4	Grease separator unit 12.20, 20.20 Convotherm4	x	x									1	1
H039	5064135	Pumpe 12V Fettsabscheider Convotherm4	Pump 12V Grease Separator Convotherm4	x	x	1	1	1	1						
H040	5056978	RC-Filter 0.15µF 120 Ohm Sammler Convotherm4	RC-Filter 0.15µF 120 Ohm Collector Convotherm4	x	x	1	1	1	1	1	1	1	1	1	1
H041	6056801	Abluftrohr mit Ablöschdüse 6.10 / 6.20 Convotherm4	Exhaust pipe with cooling nozzle 6.10 / 6.20 Convotherm4	x	x	1	1								
H041	6056802	Abluftrohr mit Ablöschdüse 10.10 / 10.20 Convotherm4	Exhaust pipe with cooling nozzle 10.10 / 10.20 Convotherm4	x	x			1	1						
H041	6056803	Abluftrohr mit Ablöschdüse 12.20 Convotherm4	Exhaust pipe with cooling nozzle 12.20 Convotherm4	x	x					1					
H041	6056804	Abluftrohr mit Ablöschdüse 20.10 / 20.20 Convotherm4	Exhaust pipe with cooling nozzle 20.10 / 20.20 Convotherm4	x	x							1	1		
H042	6056495	Dichtmanschette Ø50 Sammler Elektro Con4	Grommet 50mm Collector electric Con4	x	x	1	2	1	2						
H044	6064280	Abluftrohr rechts 12.20 Convotherm4	Exhaust pipe right 12.20 Convotherm4	x	x							1			
H044	6064281	Abluftrohr rechts 20.10 / 20.20 Convotherm4	Exhaust pipe right 20.10/20.20 Convotherm4	x	x									1	1
I001	6064601	Montageeinheit Dosierpumpe x.20 ConvoClean Convotherm4	Mounting assembly dosage pump x.20 ConvoClean Convotherm4	x	x	1	1	1	1	1	1	1	1	1	1
I001	6064205	Montageeinheit Dosierpumpe x.10 ConvoClean Convotherm4	Mounting assembly dosage pump x.10 ConvoClean Convotherm4	x	x	1	1	1	1						
I002	5056376	Dosierpumpe CONVOClean Convotherm4	Dosage pump CONVOClean Convotherm4	x	x	2	2	2	2	2	2	2	2	2	2
I003	5056352	Druckschalter 13mbar Convotherm4	Pressure switch 13mbar Convotherm4	x	x	1	1	1	1	1	1	1	1	1	1
I004	6064036	Formschlauch Dosierpumpe CONVOClean Convotherm4	Preformed hose dosage pump CONVOClean Convotherm4	x	x	1	1	1	1	1	1	1	1	1	1
I006	6064159	Winkel-Schlauchverbindungsstutzen 6mm P3 Convotherm4	Hose coupling (elbow) 6mm P3 Convotherm4	x	x	1	1	1	1	1	1	1	1	1	1
I007	2619150	Schottverschraubung M10 6mm P3 Convotherm4	Bulkhead union M10 6 mm P3 Convotherm4	x	x	2	2	2	2	2	2	2	2	2	2
I011	7002002	Reiniger Schlauch PVC rot DN 6x2mm Convotherm4	Cleaner Tube PVC red DN 6x2mm Convotherm4	x	x	1	1	1	1	1	1	1	1	1	1
I016	2625117	Montagezubehör für Einspritzung Con4	Mounting accessories for sprayer Con4	x	x	1	1	1	1	1	1	1	1	1	1
I016	8050864	Sechskantmutter M22x1,5 A2 Convotherm4	Nut M22x1,5 A2 Convotherm4	x	x	1	1	1	1	1	1	1	1	1	1
I016	2625117	Verschraubung RL Decke P3 P4	Screwing pipeline inject P3 P4	x	x	1	1	1	1	1	1	1	1	1	1
I028	6006122	Schlauchschele TB11 10-12mm	Hose Clamp TB11 10-12mm	x	x	2	2	2	2	2	2	2	2	2	2
I029	8009058	Drahtschelle Ø10 CNS Convotherm4	Wire clamp Ø10 CNS Convotherm4	x	x	8	8	8	8	8	8	8	8	8	8
I034	8019010	Drahtschelle Ø16 CNS Convotherm4	Wire clamp Ø16 CNS Convotherm4	x	x	1	1	1	1	1	1	1	1	1	1
I046	6064211	Schlauchwinkel ConvoClean Convotherm4	Elbow hose ConvoClean Convotherm4	x	x	1	1	1	1	1	1	1	1	1	1
I049	8050885	Drahtschelle Ø11,3 CNS Convotherm4	Wire clamp Ø11,3 CNS Convotherm4	x	x	3	3	3	3	3	3	3	3	3	3
I050	6064213	Rohrleitung Boden x.20 ConvoClean Convotherm4	Piping bottom x.20 ConvoClean Convotherm4	x	x	1	1	1	1	1	1	1	1	1	1
I050	6064212	Rohrleitung Boden x.10 ConvoClean Convotherm4	Piping bottom x.10 ConvoClean Convotherm4	x	x	1	1	1	1	1	1	1	1	1	1
I051	6064215	Rohrleitung Decke x.20 ConvoClean Convotherm4	Piping top x.20 ConvoClean Convotherm4	x	x	1	1	1	1	1	1	1	1	1	1
I051	6064214	Rohrleitung Decke x.10 ConvoClean Convotherm4	Piping top x.10 ConvoClean Convotherm4	x	x	1	1	1	1	1	1	1	1	1	1
I052	8050868	Drahtschelle Ø22,1 blau passiviert Convotherm4	Hose clamp 22,1 Ø passivated blue Convotherm4	x	x	3	3	3	3	3	3	3	3	3	3
I053	8050771	Drahtschelle Ø30,0 blau passiviert Convotherm4	Hose clamp Ø30,0 passivated blue Convotherm4	x	x	2	2	2	2	2	2	2	2	2	2
I054	8050688	Drahtschelle Ø27,5 blau passiviert Convotherm4	Hose clamp Ø27,5 passivated blue Convotherm4	x	x	1	1	1	1	1	1	1	1	1	1
I055	5056337	Zirkulationspumpe CONVOClean System Convotherm4	Circulation pump CONVOClean System Convotherm4	x	x	1	1	1	1	1	1	1	1	1	1
I056	7064209	Verbindungsstück Pumpe Convotherm4	Hose connecting pump Convotherm4	x	x	1	1	1	1	1	1	1	1	1	1
I058	7050852	Schlauch von Rohrleitung Boden zu Rohrleitung Decke ConvoClean Convotherm4	Hose Piping bottom to Piping top ConvoClean Convotherm4	x	x	1	1	1	1	1	1	1	1	1	1
K012	6005021	Membrantülle Ø42mm P3 Convotherm4	Rubber bushing Ø42mm P3 Convotherm4	x	x	1	1	1	1	1	1	1	1	1	1
K018	2057100	Kondensationseinheit 6.10 Convotherm4	Condensation unit 6.10 Convotherm4	x	x	1									
K018	2057101	Kondensationseinheit 6.20 Convotherm4	Condensation unit 6.20 Convotherm4	x	x	1									
K018	2057102	Kondensationseinheit 10.10 Convotherm4	Condensation unit 10.10 Convotherm4	x	x		1								
K018	2057103	Kondensationseinheit 10.20 Convotherm4	Condensation unit 10.20 Convotherm4	x	x			1							
K018	2057104	Kondensationseinheit 12.20 Convotherm4	Condensation unit 12.20 Convotherm4	x	x				1						
K018	2057105	Kondensationseinheit 20.10 20.20 Convotherm4	Condensation unit 20.10 20.20 Convotherm4	x	x							1	1		
K019	2064294	Kondensationseinheit Wasserverteiler 12.20 20.10 20.20 Convotherm4	Condensation unit Water Piping 12.20 20.10 20.20 Convotherm4	x	x	1	1	1	1	1	1	1	1	1	1
K019	6064295	Kondensationseinheit Wasserverteiler 6.10 6.20 10.10 10.20 Convotherm4	Condensation unit Water Piping 6.10 6.20 10.10 10.20 Convotherm4	x	x	1	1	1	1	1	1	1	1	1	1
K020	6056198	Düse Kondensationseinheit Convotherm4	Nozzle Condensation unit Convotherm4	x	x	2	2	2	2	2	2	2	2	2	2
K032	3429323	Räucherbox kompl. Convotherm4	Smoker Box compl. Convotherm4	x	x	1	1	1	1	1	1	1	1	1	1
K033	2164331NP	Abdeckung User Interface Gefängnisversion Convotherm4	Cover User Interface Prison Convotherm4	x	x	1	1	1	1	1	1	1	1	1	1
K033	2665171	Nachrüstset Gefängnisversion Tischgeräte Convotherm4	Retrofitkit Prison Version tabletop models Convotherm4	x	x	1	1	1	1	1	1	1	1	1	1
K033	2665172	Nachrüstset Gefängnisversion Standgeräte Convotherm4	Retrofitkit Prison Version floor models Convotherm4	x	x					1	1	1	1	1	1
K034	2164335NP	Verschlusswinkel Abdeckung User Interface Convotherm4	Cover Locking bracket User Interface Prison Convotherm4	x	x	1	1	1	1	1	1	1	1	1	1
K035	2164337NP	Winkel Türsperre Front Tischgeräte Gefängnisversion Convotherm4	Angle door block front Table Top Prison Convotherm4	x	x	1	1	1	1	1	1	1	1	1	1
K035	2164340NP	Winkel Türsperre Front Standgeräte Gefängnisversion Convotherm4	Angle door block front Floor Unit Prison Convotherm4	x	x							1	1	1	1
K036	2164338NP	Winkel Türsperre Tür Tischgeräte Gefängnisversion Convotherm4	Angle door block Table Top Prison Convotherm4	x	x	1	1	1	1	1	1	1	1	1	1
K036	2164341NP	Winkel Türsperre Tür Standgeräte Gefängnisversion Convotherm4	Angle door block Floor Unit Prison Convotherm4	x	x							1	1	1	1
K037	8051724	Senkschraube Innensechskant M5x12 A2 Convotherm4	Countersunk socket screw M5x12 A2 Convotherm4	x	x	4	4	4	4	4	4	4	4	4	4
K038	8017010	Sperrzahnmutter M5 A4 Convotherm4	Click nut M5 A4 Convotherm4	x	x	4	4	4	4	4	4	4	4	4	4
L007	7014005	Grafitpaste P3 Convotherm4	Graphite paste P3 Convotherm4	x											
L012	2156998	Hakenschlüssel Convotherm4	Feed adjusting tool Convotherm4	x	x	1	1	1	1	1	1	1	1	1	1
M001	5153054	Montageplatte GS 20.10 11 16 Convotherm4	Electric box GS 20.10 11 16 Convotherm4	x											1
M001	5153068	Montageplatte GS 20.10 60 Convotherm4	Electric box GS 20.10 60 Convotherm4	x											1
M001	5153096	Montageplatte GS 20.10 14 15 Convotherm4	Electric box GS 20.10 14 15 Convotherm4	x											1
M001	5153047	Montageplatte GB 20.10 11 16 Convotherm4	Electric box GB 20.10 11 16 Convotherm4	x											1
M001	5153061	Montageplatte GB 20.10 60 Convotherm4	Electric box GB 20.10 60 Convotherm4	x											1
M001	5153089	Montageplatte GB 20.10 14 15 Convotherm4	Electric box GB 20.10 14 15 Convotherm4	x											1
M001	5153055	Montageplatte GS 20.20 11 16 Convotherm4	Electric box GS 20.20 11 16 Convotherm4	x											1
M001	5153069	Montageplatte GS 20.20 60 Convotherm4	Electric box GS 20.20 60 Convotherm4	x											1
M001	5153097	Montageplatte GS 20.20 14 15 Convotherm4	Electric box GS 20.20 14 15 Convotherm4	x											1
M001	5153048	Montageplatte GB 20.20 11 16 Convotherm4	Electric box GB 20.20 11 16 Convotherm4	x											1
M001	5153062	Montageplatte GB 20.20 60 Convotherm4	Electric box GB 20.20 60 Convotherm4	x											1
M001	5153090	Montageplatte GB 20.20 14 15 Convotherm4	Electric box GB 20.20 14 15 Convotherm4	x											1
M002	4052075	Steckbrücke 2Pol 2,5mm² rot Convotherm4	Plug-in bridge 2pol 2,5mm² red Convotherm4	x		2	2	2	2	2	2	2	2	2	2
M003	5056374	Frequenzumrichter M2 0.75kW 1N~ 200-240V Convotherm4	Frequency converter M2 0.75kW 1N~ 200-240V Convotherm4	x	x	1	1	1	1	1	1	2	2	2	2
M003	5056386	Frequenzumrichter F1 0.75kW 1N~ 100-120V Convotherm4	Frequency converter F1 0.75kW 1N~ 100-120V Convotherm4	x	x	1	1	1	1	1	1	2	2	2	2
M003	505638														

#	ET-Nr. Part No	Beschreibung	Description	Elektro	6.10	6.20	6.30	10.10	10.20	12.20	20.10	20.20
M013	4052144	Endhalter Tragschiene GY Convotherm4	End clamp GY Convotherm4	x	x	x	x	x	x	x	x	x
M014	4056988	Klemme 4-fach 2,5mm <sup>2</sup> Gy Convotherm4	Terminal quad 2,5mm <sup>2</sup> Gy Convotherm4	x	2	2	2	2	2	2	2	2
M015	4056985	Klemme 4-fach 2,5mm <sup>2</sup> GnYe Convotherm4	Terminal quad 2,5mm <sup>2</sup> GnYe Convotherm4	x	5	5	5	5	5	5	7	7
M016	4056405	Klemme 4mm <sup>2</sup> Gy Convotherm4	Terminal 4mm <sup>2</sup> Gy Convotherm4	x	1	1	1	1	1	1	1	1
M016	4056405	Klemme 4mm <sup>2</sup> Gy Convotherm4	Terminal 4mm <sup>2</sup> Gy Convotherm4	x	3	3	3					
M017	4056990	Klemme 4mm <sup>2</sup> Bu Convotherm4	Terminal 4mm <sup>2</sup> Bu Convotherm4	x	1	1	1	1	1	1	1	1
M018	4056404	Klemme 4mm <sup>2</sup> GnYe Convotherm4	Terminal 4mm <sup>2</sup> GnYe Convotherm4	x	1	1	1	1	1	1	1	1
M018	4056404	Klemme 4mm <sup>2</sup> GnYe Convotherm4	Terminal 4mm <sup>2</sup> GnYe Convotherm4	x	2	2	2	2	2	2	2	2
M019	4056406	Klemme 3-fach 4mm <sup>2</sup> Gy Convotherm4	Terminal triple 4mm <sup>2</sup> Gy Convotherm4	x	6	6	6	5	5	5	7	7
M020	4056407	Deckel 3-fach 4mm <sup>2</sup> Gy Convotherm4	End cover triple 4mm <sup>2</sup> Gy Convotherm4	x	2	2	2	2	2	2	3	3
M021	4056354	G-SICHERUNG T4A 10 Stück 6.3x32mm Convotherm4	Fuse T4A 10 pc. 6.3x32mm Convotherm4	x	x	2	2	2	2	2	2	2
M021	4056355	G-SICHERUNG T10A 10 Stück 6.3x32mm Convotherm4	Fuse T10A 10 pc. 6.3x32mm Convotherm4	x	x	1	1	1	1	1	2	2
M021	4056944	G-SICHERUNG T2A 10 Stück 5x20mm Convotherm4	Fuse T2A 10 pc. 5x20mm Convotherm4	x	x	5	5	5	5	5	5	5
M021	4056945	G-SICHERUNG T3.15A 10 Stück 5x20mm Convotherm4	Fuse T3.15A 10 pc. 5x20mm Convotherm4	x	x	3	3	3	3	3	3	3
M021	4056414	Sicherung LP-CC 10A 1 Stück 10.3x38mm UL Convotherm4	Fuse LP-CC 10A 1 pc. 10.3x38mm UL Convotherm4	x	x	2	2	2	2	2	4	4
M021	4056490	Sicherung LP-CC 6A 1 Stück 10.3x38mm UL Convotherm4	Fuse LP-CC 6A 1 pc. 10.3x38mm UL Convotherm4	x	x	3	3	3	3			6
M021	4056982	Sicherung LP-CC 15A 1 Stück 10.3x38mm UL Convotherm4	Fuse LP-CC 15A 1 pc. 10.3x38mm UL Convotherm4	x	x							
M022	5056388	Kühlkörper Alu 112x100x67 Convotherm4	Heat sink Aluminum 112x100x67 Convotherm4	x	2	2	2	2(3)	2(4)	2(3)	2(3)	2(7)
M023	5056381	Elektronisches Schaltrelais 90A Convotherm4	Solid state relay 90A Convotherm4	x	4	4	4	4(6)	4(8)	4(6)	4(6)	14)
M023	5056381	Elektronisches Schaltrelais 90A Convotherm4	Solid state relay 90A Convotherm4	x								
M024	5056488	Thermoelementfühler für Kühlkörper 1400mm Convotherm4	Thermocouple Probe for heat sink 1400mm Convotherm4	x	2	2	2	2	2	2	2	2
M024	5056999	Thermoelementfühler für Kühlkörper UL 1400mm Convotherm4	Thermocouple Probe for heat sink UL 1400mm Convotherm4	x	2	2	2	2	2	2	2	2
M025	4052047	Klemme 1/4-fach 10/2,5mm <sup>2</sup> BU Convotherm4	Terminal 1/4-times 10/2,5mm <sup>2</sup> BU Convotherm4	x								1
M025	5056967	Netzfilter 3Ph/N 32A Convotherm4	Line Filter 3Ph/N 32A Convotherm4	x	1	1	1					
M025	5056968	Netzfilter 3Ph/N 64A Convotherm4	Line Filter 3Ph/N 64A Convotherm4	x				1	1	1		
M025	5056969	Netzfilter 3Ph/N 120A Convotherm4	Line Filter 3Ph/N 120A Convotherm4	x								1
M025	5056970	Netzfilter 3Ph 32A Convotherm4	Line Filter 3Ph 32A Convotherm4	x	1	1	1					
M025	5056971	Netzfilter 3Ph 64A Convotherm4	Line Filter 3Ph 64A Convotherm4	x			1	1				
M025	5056972	Netzfilter 3Ph 125A Convotherm4	Line Filter 3Ph 125A Convotherm4	x					1	1	1	
M025	5056973	Netzfilter 3Ph 200A Convotherm4	Line Filter 3Ph 200A Convotherm4	x								1
M026	4056390	Klemme 4-fach 4mm <sup>2</sup> GnYe Convotherm4	Terminal quad 4mm <sup>2</sup> GnYe Convotherm4	x	2	2	2	2(3)	2(3)	2(3)	2(3)	2(4)
M027	4056391	Deckel 4-fach 4mm <sup>2</sup> Gy Convotherm4	End cover quad 4mm <sup>2</sup> Gy Convotherm4	x	1	1	1	1	1	1	1	1
M028	4056410	Klemme 1 / 4-fach 35 / 6mm <sup>2</sup> Gy Convotherm4	Terminal 1 / 4-times 35 / 6mm <sup>2</sup> Gy Convotherm4	x				6	6	6	6	9
M028	4056410	Klemme 1 / 4-fach 35 / 6mm <sup>2</sup> Gy Convotherm 5	Terminal 1 / 4-times 35 / 6mm <sup>2</sup> Gy Convotherm 5	x				3	3	3	3	
M029	4056402	Klemme 3-fach 16mm <sup>2</sup> Gy Convotherm4	Terminal triple 16mm <sup>2</sup> Gy Convotherm4	x				6	6	6	6	6
M030	4056399	Klemme 6mm <sup>2</sup> GnYe Convotherm4	Terminal 6mm <sup>2</sup> GnYe Convotherm4	x	1	1	1					
M031	4056398	Klemme 6mm <sup>2</sup> Gy Convotherm4	Terminal 6mm <sup>2</sup> Gy Convotherm4	x	3	3	3	3	3	3	3	3
M032	4056400	Klemme 6mm <sup>2</sup> Bu Convotherm4	Terminal 6mm <sup>2</sup> Bu Convotherm4	x	1	1	1					
M033	4056401	Deckel 6mm <sup>2</sup> Gy Convotherm4	End cover 6mm <sup>2</sup> Gy Convotherm4	x	1	1	1					
M034	4056403	Deckel 3-fach 16mm <sup>2</sup> Gy Convotherm4	End cover triple 16mm <sup>2</sup> Gy Convotherm4	x				1	1	1	1	1
M035	4056413	Deckel 4mm <sup>2</sup> Gy Convotherm4	End cover 4mm <sup>2</sup> Gy Convotherm4	x	x	1	1	1	1	1	1	1
M036	5056965	Hilfskontakt 15 B&J Convotherm4	Auxiliary Switch 1NO B&J Convotherm4	x				1	1	1	1	1
M036	5056965	Hilfskontakt 15 B&J Convotherm4	Auxiliary Switch 1NO B&J Convotherm4	x			1	1	1	1	1	1
M036	5056966	Hilfskontakt 1510 B&J, Hauptschutz 176A Convotherm4	Auxiliary Switch 1NO1NC B&J, Main-Contactor 176A Con4	x								1
M037	4056396	Klemme 50mm <sup>2</sup> GnYe Convotherm4	Terminal 50mm <sup>2</sup> GnYe Convotherm4	x								1
M037	4056396	Klemme 50mm <sup>2</sup> GnYe Convotherm4	Terminal 50mm <sup>2</sup> GnYe Convotherm4	x				1	1	1	1	1
M038	4056395	Klemme 50mm <sup>2</sup> Gy Convotherm4	Terminal 50mm <sup>2</sup> Gy Convotherm4	x								3
M038	4056395	Klemme 50mm <sup>2</sup> Gy Convotherm4	Terminal 50mm <sup>2</sup> Gy Convotherm4	x				3	3	3	3	3
M039	4056397	Klemme 50mm <sup>2</sup> Bu Convotherm4	Terminal 50mm <sup>2</sup> Bu Convotherm4	x								1
M040	4056393	Klemme 35mm <sup>2</sup> GnYe Convotherm4	Terminal 35mm <sup>2</sup> GnYe Convotherm4	x				1	1	1	1	1
M040	4056393	Klemme 35mm <sup>2</sup> GnYe Convotherm4	Terminal 35mm <sup>2</sup> GnYe Convotherm4	x		1	1	1	1	1	1	1
M041	4056392	Klemme 35mm <sup>2</sup> Gy Convotherm4	Terminal 35mm <sup>2</sup> Gy Convotherm4	x				3	3	3	3	3
M041	4056392	Klemme 35mm <sup>2</sup> Gy Convotherm4	Terminal 35mm <sup>2</sup> Gy Convotherm4	x		3	3	3	3	3	3	3
M042	4056394	Klemme 35mm <sup>2</sup> Bu Convotherm4	Terminal 35mm <sup>2</sup> Bu Convotherm4	x				1	1	1	1	1
M043	4056411	Klemme 1 / 4-fach 10 / 2,5mm <sup>2</sup> Gy Convotherm4	Terminal 1 / 4-times 10 / 2,5mm <sup>2</sup> Gy Convotherm4	x		3	3	6	6	6	6	12
M044	4056408	Klemme 3-fach 10mm <sup>2</sup> Gy Convotherm4	Terminal triple 10mm <sup>2</sup> Gy Convotherm4	x		3	3	6	6	6	6	12
M045	4056409	Deckel 3-fach 10mm <sup>2</sup> Gy Convotherm4	End cover triple 10mm <sup>2</sup> Gy Convotherm4	x		1	1	1	1	1	1	1
M046	4056834	Klemme 3-fach 6mm <sup>2</sup> Gy Convotherm4	Terminal triple 6mm <sup>2</sup> Gy Convotherm4	x								9
M047	4056835	Deckel 3-fach 6mm <sup>2</sup> Gy Convotherm4	End cover triple 6mm <sup>2</sup> Gy Convotherm4	x								1
M048	4052115	Klemme 35mm <sup>2</sup> Gy Convotherm4	Terminal 35mm <sup>2</sup> Gy Convotherm4	x		2	2	2	2	2	2	2
M049	4056833	Klemme 95mm <sup>2</sup> GnYe Convotherm4	Terminal 95mm <sup>2</sup> GnYe Convotherm4	x								2
M050	4056989	Klemme 95mm <sup>2</sup> Gy Convotherm4	Terminal 95mm <sup>2</sup> Gy Convotherm4	x								3
M051	4056831	Klemme 95mm <sup>2</sup> Gy 200V inkl. 2 Abdeckhauben Convotherm4	Terminal 95mm <sup>2</sup> Gy 200V incl. 2 Covers Convotherm4	x								3
M052	4056832	2 Abdeckhauben 95mm <sup>2</sup> Gy 200V Convotherm4	2 Covers 95mm <sup>2</sup> Gy 200V Convotherm4	x								3
M053	5056830	Sicherungsautomat C60N B 63A Convotherm 4	Automatic circuit breaker C60N B 63A Convotherm4	x								12
M054	5052618	Anschlußklemme Convotherm4	Connection Terminal Convotherm4	x								6
M056	4052097	Klemme 10mm <sup>2</sup> GnYe Convotherm4	Terminal 10mm <sup>2</sup> GnYe Convotherm4	x	1	1	1					
M057	4052098	Deckel 10mm <sup>2</sup> GnYe Convotherm4	End cover 10mm <sup>2</sup> GnYe Convotherm4	x	1	1	1					
M058	4052122	Klemme 50mm <sup>2</sup> Gy Convotherm4	Terminal 50mm <sup>2</sup> Gy Convotherm4	x					2	2		
M059	4052137	Klemme 95mm <sup>2</sup> Gy Convotherm4	Terminal 95mm <sup>2</sup> Gy Convotherm4	x								2
M060	4056984	Sicherungssockel CUBE 60A UL Convotherm4	Fusesocket CUBE 60A UL Buss Convotherm4	x								12
M061	4056983	Sicherung CUBE 50A UL Convotherm4	Fuse CUBE 50A UL Buss Convotherm4	x								12
X001	4064013	Sicherungshalter Sicherung T1A Brennergebläse UL Convotherm4	Fuseholder fuse T1A burner fan UL Convotherm4	x	2	2	2	2	2	2	3	3
X002	4064014	G-Sicherung T1A 10 Stück Brennergebläse UL Convotherm4	Fuse T1A 10 pc. burner fan UL Convotherm4	x	1	1	1	1	1	1	1	1
X003	5256415	Kabelbaum X3 Gas (beinhaltet 5253704) Convotherm4	Wiring Loom X3 Gas (includes 5253704) Convotherm4	x	2	2	2	2	2	2	3	3
X015	5256467	Kabelbaum X15 (beinhaltet 5253500) Convotherm4	Wiring Loom X15 (includes 5253500) Convotherm4	x	x	1	1	1	1	1	1	1
X018	5256846	Kabelbaum X18 Gas Boiler 6.10 (beinh. 5253580) Con4	Wiring Loom X18 Gas Boiler 6.10 (incl. 5253580) Con4	x	1							
X018	5256847	Kabelbaum X18 Gas Boiler 6.20 (beinh. 5253581) Con4	Wiring Loom X18 Gas Boiler 6.20 (incl. 5253581) Con4	x	1							
X018	5256848	Kabelbaum X18 Gas Boiler 10.10 (beinh. 5253582) Con4	Wiring Loom X18 Gas Boiler 10.10 (incl. 5253582) Con4	x		1						
X018	5256849	Kabelbaum X18 Gas Boiler 10.20 (beinh. 5253583) Con4	Wiring Loom X18 Gas Boiler 10.20 (incl. 5253583) Con4	x			1					
X018	5256850	Kabelbaum X18 Gas Boiler 12.20 (beinh. 5253584) Con4	Wiring Loom X18 Gas Boiler 12.20 (incl. 5253584) Con4	x				1				
X018	5256851	Kabelbaum X18 Gas Boiler 20.10 (beinh. 5253585) Con4	Wiring Loom X18 Gas Boiler 20.10 (incl. 5253585) Con4	x					1			
X018	5256852	Kabelbaum X18 Gas Boiler 20.20 (beinh. 5253586) Con4	Wiring Loom X18 Gas Boiler 20.20 (incl. 5253586) Con4	x						1		
X018	5256853	Kabelbaum X18 Gas Spritzer 6.10 (beinh. 5253587) Con4	Wiring Loom X18 Gas Sprayer 6.10 (incl. 5253587) Con4	x	1							
X018	5256854	Kabelbaum X18 Gas Spritzer 6.20 (beinh. 5253588) Con4	Wiring Loom X18 Gas Sprayer 6.20 (incl. 5253588) Con4	x	1							
X018	5256855	Kabelbaum X18 Gas Spritzer 10.10 (beinh. 5253589) Con4	Wiring Loom X18 Gas Sprayer 10.10 (incl. 5253589) Con4	x		1						
X018	5256856	Kabelbaum X18 Gas Spritzer 10.20 (beinh. 5253590) Con4	Wiring Loom X18 Gas Sprayer 10.20 (incl. 5253590) Con4	x			1					
X018	5256857	Kabelbaum X18 Gas Spritzer 12.20 (beinh. 5253591) Con4	Wiring Loom X18 Gas Sprayer 12.20 (incl. 5253591) Con4	x				1				
X018	5256858	Kabelbaum X18 Gas Spritzer 20.10 (beinh. 5253592) Con4	Wiring Loom X18 Gas Sprayer 20.10 (incl. 5253592) Con4	x					1			
X018	5256859	Kabelbaum X18 Gas Spritzer 20.20 (beinh. 5253593) Con4	Wiring Loom X18 Gas Sprayer 20.20 (incl. 5253593) Con4	x						1		1
X021	5256421	Kabelbaum X21 Boiler 6.10 (beinh. 5253501) Con4	Wiring Loom X21 Boiler 6.10 (incl. 5253501) Con4	x	x	1						
X021	5256860	Kabelbaum X21 Boiler 6.20 (beinh. 5253526) Con4	Wiring Loom X21 Boiler 6.20 (incl. 5253526) Con4	x	x	1						
X021	5256422	Kabelbaum X21 Boiler 10.10 (beinh. 5253534) Con4	Wiring Loom X21 Boiler 10.10 (incl. 5253534) Con4	x	x	1	1					
X021	5256423	Kabelbaum X21 Boiler 10.20 (beinh. 5253509) Con4	Wiring Loom X21 Boiler 10.20 (includes 5253509) Con4	x	x	1						
X021	5256424	Kabelbaum X21 Boiler 12.20 (beinh. 5253542) Con4	Wiring Loom X21 Boiler 12.20 (incl. 5253542) Con4	x	x	1			1			
X021	5256861	Kabelbaum X21 Boiler 20.10 (beinh. 5253550) Con4	Wiring Loom X21 Boiler 20.10 (incl. 5253550) Con4	x	x						1	
X021	5256425	Kabelbaum X21 Boiler 20.20 (beinh. 5253517) Con4	Wiring Loom X21 Boiler 20.20 (incl. 5253517) Con4	x	x							1
X022	5256426	Kabelbaum X22 Elektro Boiler 6.10 (beinh. 5253502) Con4	Wiring Loom X22 Electric Boiler 6.10 (incl. 5253502) Con4	x	1							
X022	5256862	Kabelbaum X22 Elektro Boiler 6.20 (beinh. 5253527) Con4	Wiring Loom X22 Electric Boiler 6.20 (incl. 5253527) Con4	x	1							
X022												



#	ET-Nr. Part No	Beschreibung	Description	Elektro	Gas	6.10	6.20	10.10	10.20	12.20	20.10	20.20
X022	5256471	Kabelbaum X22 Elektro Spritzer 6.10 (beinh. 5253620) Con4	Wiring Loom X22 Electric Sprayer 6.10 (incl.5253620) Con4	x	1							
X022	5256864	Kabelbaum X22 Elektro Spritzer 6.20 (beinh. 5253632) Con4	Wiring Loom X22 Electric Sprayer 6.20 (incl.5253632) Con4	x		1						
X022	5256472	Kabelbaum X22 Elektro Spritzer 10.10 (beinh.5253636) Con4	Wiring Loom X22 Electric Sprayer 10.10 (inc.5253636) Con4	x			1					
X022	5256865	Kabelbaum X22 Elektro Spritzer 10.20 (beinh.5253624) Con4	Wiring Loom X22 Electric Sprayer 10.20 (incl.5253624) Con4	x				1				
X022	5256866	Kabelbaum X22 Elektro Spritzer 12.20 (beinh.5253640) Con4	Wiring Loom X22 Electric Sprayer 12.20 (incl.5253640) Con4	x					1			
X022	5256473	Kabelbaum X22 Elektro Spritzer 20.10 (beinh.5253644) Con4	Wiring Loom X22 Electric Sprayer 20.10 (incl.5253644) Con4	x						1		
X022	5256867	Kabelbaum X22 Elektro Spritzer 20.20 (beinh.5253628) Con4	Wiring Loom X22 Electric Sprayer 20.20 (incl.5253628) Con4	x							1	
X022	5256868	Kabelbaum X22 Gas 6.10 (beinhaltet 5253594) Convotherm4	Wiring Loom X22 Gas 6.10 (includes 5253594) Convotherm4	x	1							
X022	5256869	Kabelbaum X22 Gas 6.20 (beinhaltet 5253595) Convotherm4	Wiring Loom X22 Gas 6.20 (includes 5253595) Convotherm4	x		1						
X022	5256870	Kabelbaum X22 Gas 10.10 (beinhaltet 5253596) Convotherm4	Wiring Loom X22 Gas 10.10 (includes 5253596) Convotherm4	x			1					
X022	5256871	Kabelbaum X22 Gas 10.20 (beinhaltet 5253597) Convotherm4	Wiring Loom X22 Gas 10.20 (includes 5253597) Convotherm4	x				1				
X022	5256872	Kabelbaum X22 Gas 12.20 (beinhaltet 5253598) Convotherm4	Wiring Loom X22 Gas 12.20 (includes 5253598) Convotherm4	x					1			
X022	5256873	Kabelbaum X22 Gas 20.10 (beinhaltet 5253599) Convotherm4	Wiring Loom X22 Gas 20.10 (includes 5253599) Convotherm4	x						1		
X022	5256474	Kabelbaum X22 Gas 20.20 (beinhaltet 5253600) Convotherm4	Wiring Loom X22 Gas 20.20 (includes 5253600) Convotherm4	x							1	
X023	5256429	Kabelbaum X23 Boiler inkl. Reinigung 6.10 (5253503) Con4	Wiring Loom X23 Boiler incl. Cleaning 6.10 (5253503) Con4	x	x	1						
X023	5256874	Kabelbaum X23 Boiler inkl. Reinigung 6.20 (5253528) Con4	Wiring Loom X23 Boiler incl. Cleaning 6.20 (5253528) Con4	x	x		1					
X023	5256430	Kabelbaum X23 Boiler inkl. Reinigung 10.10 (5253536) Con4	Wiring Loom X23 Boiler incl. Clean 10.10 (5253536) Con4	x	x			1				
X023	5256431	Kabelbaum X23 Boiler inkl. Reinigung 10.20 (5253511) Con4	Wiring Loom X23 Boiler incl. Clean 10.20 (5253511) Con4	x	x				1			
X023	5256875	Kabelbaum X23 Boiler inkl. Reinigung 12.20 (5253544) Con4	Wiring Loom X23 Boiler incl. Clean 12.20 (5253544) Con4	x	x					1		
X023	5256876	Kabelbaum X23 Boiler inkl. Reinigung 20.10 (5253552) Con4	Wiring Loom X23 Boiler incl. Clean 20.10 (5253552) Con4	x	x						1	
X023	5256432	Kabelbaum X23 Boiler inkl. Reinigung 20.20 (5253519) Con4	Wiring Loom X23 Boiler incl. Clean 20.20 (5253519) Con4	x	x							1
X023	5256877	Kabelbaum X23 Boiler ohne Reinigung 6.10 (5253650) Con4	Wiring Loom X23 Boiler without Clean 6.10 (5253650) Con4	x	x	1						
X023	5256433	Kabelbaum X23 Boiler ohne Reinigung 6.20 (5253656) Con4	Wiring Loom X23 Boiler without Clean 6.20 (5253656) Con4	x	x		1					
X023	5256475	Kabelbaum X23 Boiler ohne Reinigung 10.10 (5253658) Con4	Wiring Loom X23 Boiler without Clean 10.10 (5253658) Con4	x	x			1				
X023	5256878	Kabelbaum X23 Boiler ohne Reinigung 10.20 (5253652) Con4	Wiring Loom X23 Boiler without Clean 10.20 (5253652) Con4	x	x				1			
X023	5256879	Kabelbaum X23 Boiler ohne Reinigung 12.20 (5253660) Con4	Wiring Loom X23 Boiler without Clean 12.20 (5253660) Con4	x	x					1		
X023	5256476	Kabelbaum X23 Boiler ohne Reinigung 20.10 (5253662) Con4	Wiring Loom X23 Boiler without Clean 20.10 (5253662) Con4	x	x						1	
X023	5256880	Kabelbaum X23 Boiler ohne Reinigung 20.20 (5253654) Con4	Wiring Loom X23 Boiler without Clean 20.20 (5253654) Con4	x	x							1
X023	5256477	Kabelbaum X23 Spritzer inkl. Reinigung 6.10 (5253621) Con4	Wiring Loom X23 Sprayer incl. Clean 6.10 (5253621) Con4	x	x	1						
X023	5256434	Kabelbaum X23 Spritzer inkl. Reinigung 6.20 (5253633) Con4	Wiring Loom X23 Sprayer incl. Clean 6.20 (5253633) Con4	x	x		1					
X023	5256478	Kabelbaum X23 Spritzer inkl. Reinigung 10.10 (5253637) Con4	Wiring Loom X23 Sprayer incl. Clean 10.10 (5253637) Con4	x	x			1				
X023	5256881	Kabelbaum X23 Spritzer inkl. Reinigung 10.20 (5253625) Con4	Wiring Loom X23 Sprayer incl. Clean 10.20 (5253625) Con4	x	x				1			
X023	5256882	Kabelbaum X23 Spritzer inkl. Reinigung 12.20 (5253641) Con4	Wiring Loom X23 Sprayer incl. Clean 12.20 (5253641) Con4	x	x					1		
X023	5256435	Kabelbaum X23 Spritzer inkl. Reinigung 20.10 (5253645) Con4	Wiring Loom X23 Sprayer incl. Clean 20.10 (5253645) Con4	x	x						1	
X023	5256436	Kabelbaum X23 Spritzer inkl. Reinigung 20.20 (5253629) Con4	Wiring Loom X23 Sprayer incl. Clean 20.20 (5253629) Con4	x	x							1
X023	5256437	Kabelbaum X23 Spritzer ohne Reinigung 6.10 (5253670) Con4	Wiring Loom X23 Sprayer without Clean 6.10 (5253670) Con4	x	x	1						
X023	5256438	Kabelbaum X23 Spritzer ohne Reinigung 6.20 (5253676) Con4	Wiring Loom X23 Sprayer without Clean 6.20 (5253676) Con4	x	x		1					
X023	5256479	Kabelbaum X23 Spritzer ohne Reinigung 10.10 (5253678) Con4	Wiring Loom X23 Sprayer without Clean 10.10 (5253678) Con4	x	x			1				
X023	5256439	Kabelbaum X23 Spritzer ohne Reinigung 10.20 (5253672) Con4	Wiring Loom X23 Sprayer without Clean 10.20 (5253672) Con4	x	x				1			
X023	5256883	Kabelbaum X23 Spritzer ohne Reinigung 12.20 (5253680) Con4	Wiring Loom X23 Sprayer without Clean 12.20 (5253680) Con4	x	x					1		
X023	5256884	Kabelbaum X23 Spritzer ohne Reinigung 20.10 (5253682) Con4	Wiring Loom X23 Sprayer without Clean 20.10 (5253682) Con4	x	x						1	
X023	5256885	Kabelbaum X23 Spritzer ohne Reinigung 20.20 (5253674) Con4	Wiring Loom X23 Sprayer without Clean 20.20 (5253674) Con4	x	x							1
X023	5264141	Kabelbaum X23 Boiler T inkl. Reing. Fettabsch 10.10 Con4	Wiring Loom X23 Boiler T incl. Clean Greassepara 10.10 Con4	x	x	1	1	1	1			
X023	5264142	Kabelbaum X23 Spritzer T inkl. Reing. Fettabsch 10.10 Con4	Wiring Loom X23 Boiler T incl. Clean Greassepara 10.10 Con4	x	x	1	1	1	1			
X026	5256440	Kabelbaum X26 Elektro Boiler 6.10 (beinh. 5253504) Con4	Wiring Loom X26 Electric Boiler 6.10 (incl. 5253504) Con4	x	1							
X026	5256886	Kabelbaum X26 Elektro Boiler 6.20 (beinh. 5253529) Con4	Wiring Loom X26 Electric Boiler 6.20 (incl. 5253529) Con4	x		1						
X026	5256441	Kabelbaum X26 Elektro Boiler 10.10 (beinh. 5253537) Con4	Wiring Loom X26 Electric Boiler 10.10 (incl.5253537) Con4	x			1					
X026	5256442	Kabelbaum X26 Elektro Boiler 10.20 (beinh. 5253512) Con4	Wiring Loom X26 Electric Boiler 10.20 (incl.5253512) Con4	x				1				
X026	5256887	Kabelbaum X26 Elektro Boiler 12.20 (beinh.5253545) Con4	Wiring Loom X26 Electric Boiler 12.20 (incl.5253545) Con4	x					1			
X026	5256888	Kabelbaum X26 Elektro Boiler 20.10 (beinh. 5253553) Con4	Wiring Loom X26 Electric Boiler 20.10 (incl.5253553) Con4	x						1		
X026	5256889	Kabelbaum X26 Elektro Boiler 20.20 (beinh. 5253520) Con4	Wiring Loom X26 Electric Boiler 20.20 (incl.5253520) Con4	x							1	
X026	5256466	Kabelbaum X26 Elektro Spritzer 6.10 (beinh. 5253622) Con4	Wiring Loom X26 Electric Sprayer 6.10 (incl.5253622) Con4	x	1							
X026	5256443	Kabelbaum X26 Elektro Spritzer 6.20 (beinh. 5253634) Con4	Wiring Loom X26 Electric Sprayer 6.20 (incl.5253634) Con4	x		1						
X026	5256890	Kabelbaum X26 Elektro Spritzer 10.10 (beinh.5253638) Con4	Wiring Loom X26 Electric Sprayer 10.10 (incl.5253638) Con4	x			1					
X026	5256891	Kabelbaum X26 Elektro Spritzer 10.20 (beinh.5253626) Con4	Wiring Loom X26 Electric Sprayer 10.20 (incl.5253626) Con4	x				1				
X026	5256892	Kabelbaum X26 Elektro Spritzer 12.20 (beinh.5253642) Con4	Wiring Loom X26 Electric Sprayer 12.20 (incl.5253642) Con4	x					1			
X026	5256444	Kabelbaum X26 Elektro Spritzer 20.10 (beinh.5253646) Con4	Wiring Loom X26 Electric Sprayer 20.10 (incl.5253646) Con4	x						1		
X026	5256893	Kabelbaum X26 Elektro Spritzer 20.20 (beinh.5253630) Con4	Wiring Loom X26 Electric Sprayer 20.20 (incl.5253630) Con4	x							1	
X026	5256894	Kabelbaum X26 Gas Boiler 6.10 (beinh. 5253690) Con4	Wiring Loom X26 Gas Boiler 6.10 (incl. 5253690) Con4	x	1							
X026	5264022	Kabelbaum X26 Gas Boiler 6.10 UL (beinh. 5253710) Con4	Wiring Loom X26 Gas Boiler 6.10 UL (incl. 5253710) Con4	x	1							
X026	5256895	Kabelbaum X26 Gas Boiler 6.20 (beinh. 5253691) Con4	Wiring Loom X26 Gas Boiler 6.20 (incl. 5253691) Con4	x		1						
X026	5264023	Kabelbaum X26 Gas Boiler 6.20 UL (beinh. 5253711) Con4	Wiring Loom X26 Gas Boiler 6.20 UL (incl. 5253711) Con4	x			1					
X026	5256896	Kabelbaum X26 Gas Boiler 10.10 (beinh. 5253692) Con4	Wiring Loom X26 Gas Boiler 10.10 (incl. 5253692) Con4	x				1				
X026	5264024	Kabelbaum X26 Gas Boiler 10.10 UL (beinh. 5253712) Con4	Wiring Loom X26 Gas Boiler 10.10 UL (incl. 5253712) Con4	x					1			
X026	5256897	Kabelbaum X26 Gas Boiler 10.20 CE (beinh. 5253693) Con4	Wiring Loom X26 Gas Boiler 10.20 CE (incl. 5253693) Con4	x						1		
X026	5264025	Kabelbaum X26 Gas Boiler 10.20 UL (beinh. 5253713) Con4	Wiring Loom X26 Gas Boiler 10.20 UL (incl. 5253713) Con4	x							1	
X026	5256898	Kabelbaum X26 Gas Boiler 12.20 CE (beinh. 5253694) Con4	Wiring Loom X26 Gas Boiler 12.20 CE (incl. 5253694) Con4	x								1
X026	5264026	Kabelbaum X26 Gas Boiler 12.20 UL (beinh. 5253714) Con4	Wiring Loom X26 Gas Boiler 12.20 UL (incl. 5253714) Con4	x								1
X026	5256899	Kabelbaum X26 Gas Boiler 20.10 CE (beinh. 5253695) Con4	Wiring Loom X26 Gas Boiler 20.10 CE (incl. 5253695) Con4	x								1
X026	5264027	Kabelbaum X26 Gas Boiler 20.10 UL (beinh. 5253715) Con4	Wiring Loom X26 Gas Boiler 20.10 UL (incl. 5253715) Con4	x								1
X026	5256445	Kabelbaum X26 Gas Boiler 20.20 CE (beinh. 5253696) Con4	Wiring Loom X26 Gas Boiler 20.20 CE (incl. 5253696) Con4	x								1
X026	5264028	Kabelbaum X26 Gas Boiler 20.20 UL (beinh. 5253716) Con4	Wiring Loom X26 Gas Boiler 20.20 UL (incl. 5253716) Con4	x								1
X026	5256900	Kabelbaum X26 Gas Spritzer 6.10 CE (beinh. 5253697) Con4	Wiring Loom X26 Gas Sprayer 6.10 CE (incl. 5253697) Con4	x	1							
X026	5264029	Kabelbaum X26 Gas Spritzer 6.10 UL (beinh. 5253717) Con4	Wiring Loom X26 Gas Sprayer 6.10 UL (incl. 5253717) Con4	x		1						
X026	5256901	Kabelbaum X26 Gas Spritzer 6.20 CE (beinh. 5253698) Con4	Wiring Loom X26 Gas Sprayer 6.20 CE (incl. 5253698) Con4	x			1					
X026	5264030	Kabelbaum X26 Gas Spritzer 6.20 UL (beinh. 5253718) Con4	Wiring Loom X26 Gas Sprayer 6.20 UL (incl. 5253718) Con4	x				1				
X026	5256902	Kabelbaum X26 Gas Spritzer 10.10 CE (beinh. 5253699) Con4	Wiring Loom X26 Gas Sprayer 10.10 CE (incl. 5253699) Con4	x					1			
X026	5264031	Kabelbaum X26 Gas Spritzer 10.10 UL (beinh. 5253719) Con4	Wiring Loom X26 Gas Sprayer 10.10 UL (incl. 5253719) Con4	x						1		
X026	5256903	Kabelbaum X26 Gas Spritzer 10.20 CE (beinh. 5253700) Con4	Wiring Loom X26 Gas Sprayer 10.20 CE (incl. 5253700) Con4	x							1	
X026	5264032	Kabelbaum X26 Gas Spritzer 10.20 UL (beinh. 5253720) Con4	Wiring Loom X26 Gas Sprayer 10.20 UL (incl. 5253720) Con4	x								1
X026	5256904	Kabelbaum X26 Gas Spritzer 12.20 CE (beinh. 5253701) Con4	Wiring Loom X26 Gas Sprayer 12.20 CE (incl. 5253701) Con4	x								1
X026	5264033	Kabelbaum X26 Gas Spritzer 12.20 UL (beinh. 5253721) Con4	Wiring Loom X26 Gas Sprayer 12.20 UL (incl. 5253721) Con4	x								1
X026	5256905	Kabelbaum X26 Gas Spritzer 20.10 CE (beinh. 5253702) Con4										

#	ET-Nr. Part No	Beschreibung	Description	Elektro	Gas								
						6.10	6.20	10.10	10.20	12.20	20.10	20.20	
X040	5256916	Kabelbaum X40 Spritzer inkl Reinigung10.10 (5253639) Con4	Wiring Loom X40 Sprayer incl. Clean 10.10 (5253639) Con4	x	x			1					
X040	5256917	Kabelbaum X40 Spritzer inkl Reinigung10.20 (5253627) Con4	Wiring Loom X40 Sprayer incl. Clean 10.20 (5253627) Con4	x	x				1				
X040	5256918	Kabelbaum X40 Spritzer inkl Reinigung12.20 (5253643) Con4	Wiring Loom X40 Sprayer incl. Clean 12.20 (5253643) Con4	x	x					1			
X040	5256457	Kabelbaum X40 Spritzer inkl Reinigung20.10 (5253647) Con4	Wiring Loom X40 Sprayer incl. Clean 20.10 (5253647) Con4	x	x							1	
X040	5256458	Kabelbaum X40 Spritzer inkl Reinigung20.20 (5253631) Con4	Wiring Loom X40 Sprayer incl. Clean 20.20 (5253631) Con4	x	x								1
X040	5256459	Kabelbaum X40 Spritzer ohne Reinigung 6.10 (5253671) Con4	Wiring Loom X40 Sprayer without Clean 6.10 (5253671) Con4	x	x	1							
X040	5256460	Kabelbaum X40 Spritzer ohne Reinigung 6.20 (5253677) Con4	Wiring Loom X40 Sprayer without Clean 6.20 (5253677) Con4	x	x		1						
X040	5256919	Kabelbaum X40 Spritzer ohne Reinigung10.10 (5253679) Con4	Wiring Loom X40 Sprayer without Clean 10.10 (5253679) Con4	x	x			1					
X040	5256461	Kabelbaum X40 Spritzer ohne Reinigung10.20 (5253673) Con4	Wiring Loom X40 Sprayer without Clean 10.20 (5253673) Con4	x	x				1				
X040	5256920	Kabelbaum X40 Spritzer ohne Reinigung12.20 (5253681) Con4	Wiring Loom X40 Sprayer without Clean12.20 (5253681) Con4	x	x					1			
X040	5256921	Kabelbaum X40 Spritzer ohne Reinigung20.10 (5253683) Con4	Wiring Loom X40 Sprayer without Clean 20.10 (5253683) Con4	x	x							1	
X040	5256922	Kabelbaum X40 Spritzer ohne Reinigung20.20 (5253675) Con4	Wiring Loom X40 Sprayer without Clean 20.20 (5253675) Con4	x	x								1
X045	5256485	Kabelbaum X45 (beinhaltet 5253507) Convotherm4	Wiring Loom X45 (includes 5253507) Convotherm4	x	x	1	1	1	1	1	1	1	1



PLATON SERVICE

8 (800) 500-34-47

www.platonservice.com